

## PARALLEL REDUNDANT & POWER SYSTEM

### UPS 60...800KVA FXS – OPERATING MANUAL

### SISTEMA PARALLELO RIDONDANTE E DI POTENZA

### UPS 60...800KVA FXS – MANUALE OPERATIVO

Rev.	Descrizione Description	Data Date	Emesso Issued	Controllato Checked	Approvato Approved	Lingua Language	Pagina Page	di Pag. of Pag.
/	First Issue / Emissione	24.02.11				E/I	1	79
A	Revision JSE414215	07.06.11						
						Codice / Code <b>JUD413937</b>		

## Index / Indice

---

<b>ENGLISH LANGUAGE</b> .....	<b>7</b>
<b>1. INTRODUCTION</b> .....	<b>8</b>
<b>2. PARTS THAT CONSTITUTE THE SYSTEM</b> .....	<b>9</b>
<b>3. REDUNDANT PARALLEL SYSTEM</b> .....	<b>10</b>
3.1 DESCRIPTION PARALLEL REDUNDANCY SYSTEM.....	10
3.2 OPERATIONAL STATUS PARALLEL REDUNDANCY .....	10
3.2.1 "N" UPS in normal operating mode .....	11
3.2.2 "N-1" UPS normal functioning mode .....	12
3.2.3 Mains fault.....	13
3.2.4 "N" bypass available .....	14
3.2.5 "N-1" bypass available.....	15
3.2.5 Manual bypass.....	16
<b>4. INSTALLATION PARALLEL REDUNDANT KIT</b> .....	<b>17</b>
4.1 SUPPLEMENTARY HARDWARE.....	17
4.2 FUNCTION.....	17
4.3 POSITIONING.....	17
4.4 INSTALLATION.....	18
4.5 UPS CONFIGURATION.....	21
4.5.1 Ups configuration parallel redundancy .....	21
<b>5. START UP AND CHECK OF THE PARALLEL SYSTEM</b> .....	<b>23</b>
<b>6. SYSTEM PERFORMANCE</b> .....	<b>25</b>
6.1 OVERLOAD.....	25
6.2 SHORT CIRCUIT .....	25
<b>7. START-UP</b> .....	<b>26</b>
7.1 CASE OF 2 UPS – <i>DIRECT START-UP</i> .....	26
7.2 CASE OF 2 UPS – <i>MANUAL BYPASS START-UP</i> .....	26
7.3 CASE OF N UPS – <i>START-UP FROM MANUAL BYPASS</i> .....	26
7.4 PROCEDURE FOR TRANSFERRING TO MANUAL BYPASS .....	27
7.5 PROCEDURE TO RETURN FROM MANUAL BYPASS.....	27
7.5.1 Case of 2 or N UPS – Restart up from manual BYPASS .....	27
<b>8. POWER PARALLEL SYSTEM</b> .....	<b>28</b>
8.1 DESCRIPTION POWER PARALLEL SYSTEM.....	28

<b>8.2</b>	<b>OPERATIONAL STATUS POWER PARALLEL SYSTEM</b> .....	<b>28</b>
8.2.1	“N” UPS normal condition .....	29
8.2.2	Mains failure.....	30
8.2.3	“N” bypass available .....	31
8.2.4	Manual bypass .....	32
<b>9.</b>	<b>INSTALLATION REDUNDANT PARALLEL KIT</b> .....	<b>33</b>
9.1	SUPPLEMENTARY HARDWARE.....	33
9.2	FUNCTION.....	33
9.3	POSITIONING.....	33
9.4	INSTALLATION.....	34
9.5	UPS CONFIGURATION.....	37
9.5.1	Ups configuration parallel redundancy .....	37
<b>10.</b>	<b>START UP AND CHECK OF THE PARALLEL SYSTEM</b> .....	<b>39</b>
<b>11.</b>	<b>SYSTEM PERFORMANCE</b> .....	<b>41</b>
11.1	OVERLOAD.....	41
11.2	SHORT CIRCUIT .....	41
<b>12.</b>	<b>START-UP</b> .....	<b>42</b>
12.1	START-UP FROM MANUAL BY-PASS .....	42
12.2	MANUAL BY-PASS TRANSFER PROCEDURE .....	42
12.3	RE-START FROM MANUAL BY-PASS .....	43
	<b>LINGUA ITALIANA</b> .....	<b>44</b>
<b>1.</b>	<b>INTRODUZIONE</b> .....	<b>45</b>
<b>2.</b>	<b>PARTI CHE COSTITUISCONO IL SISTEMA</b> .....	<b>46</b>
<b>3.</b>	<b>PARALLELO RIDONDANTE</b> .....	<b>47</b>
3.1	DESCRIZIONE SISTEMA PARALLELO RIDONDANTE .....	47
3.2	STATI DI FUNZIONAMENTO PARALLELO RIDONDANTE .....	47
3.2.1	“N” ups IN funzionamento normale .....	48
3.2.2	“N-1” ups funzionamento normale.....	49
3.2.3	Mancanza rete.....	50
3.2.4	“N” bypass disponibili .....	51
3.2.5	“N-1” bypass disponibili .....	52
3.2.6	Bypass manuale .....	53
<b>4.</b>	<b>INSTALLAZIONE PARALLELO RIDONDANTE</b> .....	<b>54</b>

4.1	HARDWARE AGGIUNTIVO .....	54
4.2	FUNZIONI .....	54
4.3	POSIZIONAMENTO.....	54
4.4	INSTALLAZIONE.....	55
4.5	CONFIGURAZIONE DEGLI UPS.....	58
4.5.1	Configurazione degli UPS per sistemi parallelo ridondante.....	58
5.	AVVIO DEL SISTEMA DI PARALLELO RIDONDANTE E VERIFICHE .....	60
6.	PRESTAZIONI DI SISTEMA .....	61
6.1	SOVRACCARICO .....	61
6.2	CORTO CIRCUITO .....	61
7.	AVVIAMENTO PER SISTEMA PARALLELO RIDONDANTE .....	62
7.1	CASO DI 2 UPS – <i>AVVIO DIRETTO</i> .....	62
7.2	CASO DI 2 UPS – <i>AVVIO DA BYPASS MANUALE</i> .....	62
7.3	CASO DI N UPS – <i>AVVIO DA BYPASS MANUALE</i> .....	62
7.4	PROCEDURA DI TRASFERIMENTO SU BYPASS MANUALE .....	63
7.5	PROCEDURA DI RITORNO DA BYPASS MANUALE .....	63
7.5.1	Caso di 2 o N UPS – Riavvio da BYPASS manuale.....	63
8.	PARALLELO DI POTENZA .....	65
8.1	DESCRIZIONE SISTEMA PARALLELO DI POTENZA.....	65
8.2	DESCRIZIONE SISTEMA PARALLELO DI POTENZA.....	65
8.2.1	“N” ups IN funzionamento normale .....	66
8.2.2	Mancanza rete.....	67
8.2.3	“N” bypass disponibili .....	68
8.2.4	Bypass manuale .....	69
9.	INSTALLAZIONE PARALLELO DI POTENZA.....	70
9.1	HARDWARE AGGIUNTIVO .....	70
9.2	FUNZIONI .....	70
9.3	POSIZIONAMENTO.....	70
9.4	INSTALLAZIONE PARALLELO DI POTENZA .....	71
9.5	CONFIGURAZIONE DEGLI UPS.....	74
9.5.1	Configurazione degli UPS per sistemi parallelo di potenza.....	74
10.	AVVIO DEL SISTEMA DI PARALLELO DI POTENZA E VERIFICHE .....	76

<b>11. PRESTAZIONI DI SISTEMA .....</b>	<b>77</b>
<b>11.1 SOVRACCARICO.....</b>	<b>77</b>
<b>11.2 CORTO CIRCUITO.....</b>	<b>77</b>
<b>12. AVVIAMENTO .....</b>	<b>78</b>
<b>12.1 CASO DI 2 O PIÙ UPS – AVVIO DIRETTO .....</b>	<b>78</b>
<b>12.2 CASO DI 2 O PIÙ UPS – AVVIO DA BYPASS MANUALE.....</b>	<b>78</b>
<b>12.3 PROCEDURA DI TRASFERIMENTO SU BYPASS MANUALE .....</b>	<b>78</b>
<b>12.4 PROCEDURA DI RITORNO DA BYPASS MANUALE .....</b>	<b>79</b>
<b>12.4.1 Caso di 2 o N UPS – Riavvio da BYPASS manuale.....</b>	<b>79</b>

## **Index of pictures / Indice delle figure**

---

<i>Picture 1 – Block diagram.....</i>	<i>9</i>
<i>Picture 2 – “N” UPS in normal functioning mode .....</i>	<i>11</i>
<i>Picture 3 – “N-1” UPS in normal functioning mode .....</i>	<i>12</i>
<i>Picture 4 – Mains failure.....</i>	<i>13</i>
<i>Picture 5 – “N” bypass available.....</i>	<i>14</i>
<i>Picture 6 – “N-1” bypass available .....</i>	<i>15</i>
<i>Picture 7 – Manual Bypass.....</i>	<i>16</i>
<i>Picture 8 – Contents of the package .....</i>	<i>17</i>
<i>Picture 9 – Slot-Par jumper setting.....</i>	<i>18</i>
<i>Picture 10 – Install the Interface and connect the cable .....</i>	<i>19</i>
<i>Picture 11 – BUS-CAN connection 3 units 160kVA .....</i>	<i>20</i>
<i>Picture 12 – Connection UPS 3 units 500kVA .....</i>	<i>20</i>
<i>Picture 13 – Eproom Manager parameters setting parallel redundant .....</i>	<i>22</i>
<i>Picture 14 – “N” ups normal condition .....</i>	<i>29</i>
<i>Picture 15 – Mains failure.....</i>	<i>30</i>
<i>Picture 16 – “N” bypass available.....</i>	<i>31</i>
<i>Picture 17 – Manual bypass .....</i>	<i>32</i>
<i>Picture 18 – Contents of the package .....</i>	<i>33</i>
<i>Picture 19 – Slot-Par jumper setting.....</i>	<i>34</i>
<i>Picture 20 – Install the Interface and connect the cable .....</i>	<i>35</i>
<i>Picture 21 – BUS-CAN connection 3 units 160kVA .....</i>	<i>36</i>
<i>Picture 22 – Connection UPS 3 units 500kVA .....</i>	<i>36</i>
<i>Picture 23 – Eproom Manager parameters setting parallel redundant .....</i>	<i>38</i>
<i>Figura 1 – Schema a blocchi.....</i>	<i>46</i>
<i>Figura 2 – “N” UPS in funzionamento normale .....</i>	<i>48</i>
<i>Figura 3 – “N-1” UPS in funzionamento normale .....</i>	<i>49</i>
<i>Figura 4 – Mancanza rete.....</i>	<i>50</i>

---

Figura 5 – “N” bypass disponibili.....	51
Figura 6 – “N-1” bypass disponibili.....	52
Figura 7 – Bypass Manuale.....	53
Figura 8 – Contenuto della confezione.....	54
Figura 9 – Configurazione Jumper scheda SLOT-PAR.....	55
Figura 10 – Installazione scheda e connessione cavo flat.....	56
Figura 11 – Connessione CAN-BUS. Esempio con tre unità 160kVA.....	57
Figura 12 – Collegamento di 3 unità UPS 500kVA.....	57
Figura 13 – Configurazione parametri Eeprom per parallelo di ridondante.....	59
Figura 14 – “N” UPS in funzionamento normale.....	66
Figura 15 – Mancanza rete.....	67
Figura 16 – “N” bypass disponibili carico su linea di emergenza.....	68
Figura 17 – Bypass Manuale.....	69
Figura 18 – Contenuto della confezione.....	70
Figura 19 – Configurazione Jumper scheda SLOT-PAR.....	71
Figura 20 – Installazione scheda e connessione cavo flat.....	72
Figura 21 – Connessione CAN-BUS. Esempio con tre unità 160kVA.....	73
Figura 22 – Collegamento di 3 unità UPS 500kVA.....	73
Figura 23 – Configurazione parametri Eeprom per parallelo di potenza.....	75

**ENGLISH LANGUAGE**

## 1. INTRODUCTION

The purpose of this manual is to guide the installer or user in the correct installation of the parallel redundancy or power parallel system in the plant.

**Before reading this manual, the user must carefully read the UPS OPERATIONAL MANUAL and correctly follow the instructions for the individual units, especially the safety requests according to CEI 64-8 and to 46-90.**

**The maker declines all responsibility for damages caused to persons or things, deriving from the non-compliance of the above.**

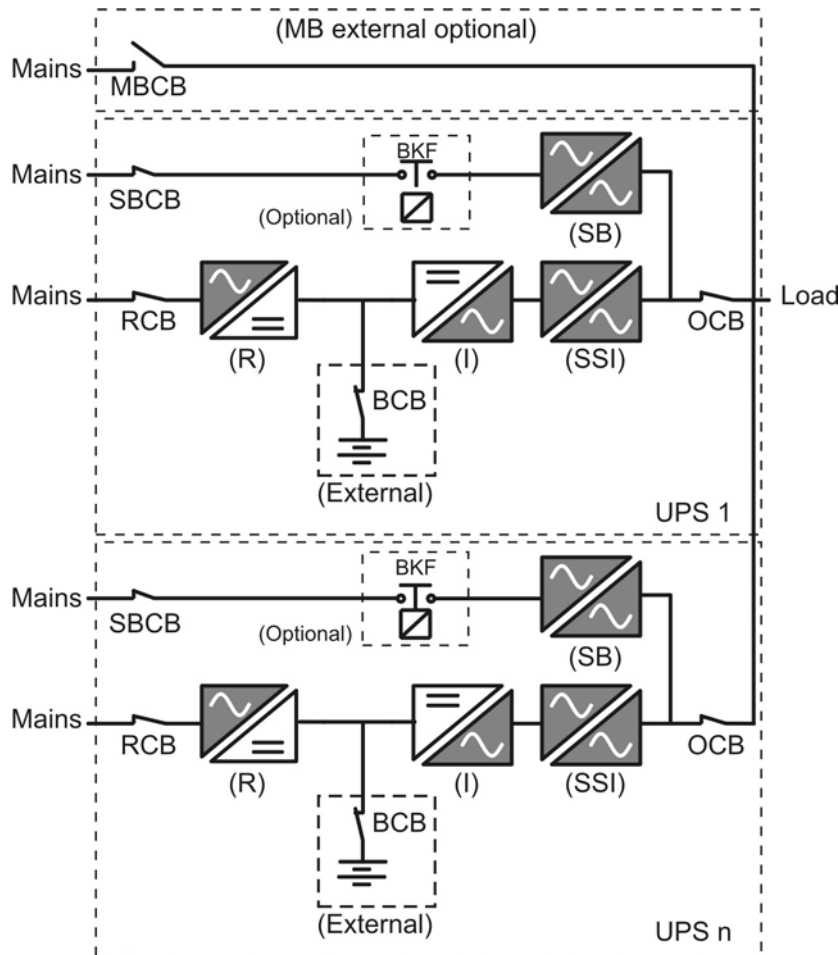


## 2. PARTS THAT CONSTITUTE THE SYSTEM

All the units are constituted by six functional operating sub-system:

- IGBT Rectifier (R)
- Inverter (I)
- Battery (B)
- Static Switch: Static Switch Inverter (SSI) e Static Bypass (SB)
- BKF optional (standard only for 400-500-600-800 kVA)
- Manual Bypass (MB) standard for 60-80-100-125-160-200-250-300kVA mounted internal (can be also external), optional for 400-500-600-800kVA mounted only external.
- Front Panel

For the description of the single parts, see: “UPS OPERATING MANUAL”



Picture 1 – Block diagram

### **3. REDUNDANT PARALLEL SYSTEM**

#### **3.1 DESCRIPTION PARALLEL REDUNDANCY SYSTEM**

The parallel redundancy system is constituted by “N” UPS (up to a maximum of 5+1 units), configured as redundant parallel units. In the UPS The Manual Bypass is external and optional, and generally is only one for all units.

In addition to the standard functions of a UPS such as power continuity, protection of the load from mains distortions etc., the parallel redundancy system guarantees a continuity of power even if more than one system failure is ascertained.

This is possible because all the units are constantly operative and feed the load in parallel, furnishing each with a current equal to “total load /n”, where “n” is the number of the units that are being supplied at that moment.

The automatic distribution control of the AC current equalizes the currents of the “n” units and reduces the unbalance to less than 10%, under all load conditions.

The load is fed by the parallel inverters even when an instantaneous overload  $\leq$  “n x 200%” of the nominal load of every individual unit is verified.

In the event of a breakdown of one of the units, the load is fed by the others. Only in the event that ulterior breakdowns are verified in the other units will the load be transferred to the Emergency Mains (Bypass).

#### **3.2 OPERATIONAL STATUS PARALLEL REDUNDANCY**

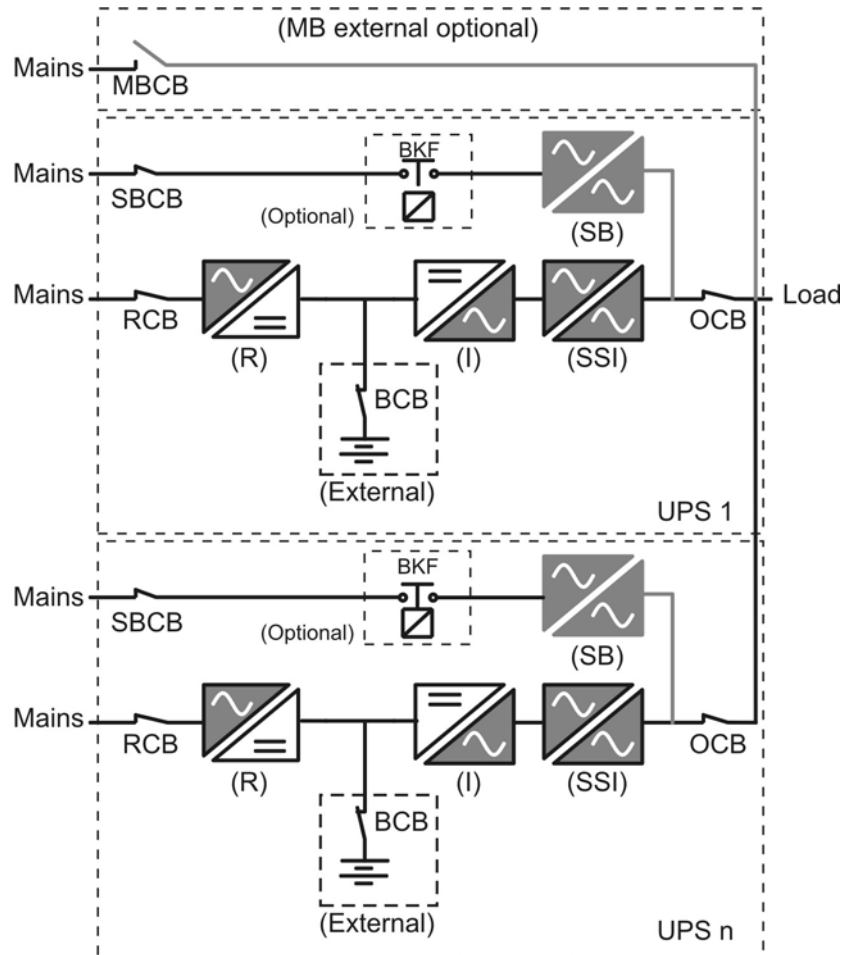
If a breakdown occurs for which a UPS can no longer distribute on the load, during the state of “n UPS in normal functioning”, the parallel redundancy system gets transferred to the “n-1 UPS in normal operational status. Under these conditions, a further irregularity of a UPS which prevents the feeding of the load, transfers the system to the “Emergency Bypass Line, feed the load” condition, every additional irregularity, may or may not, according to the type of irregularity, interrupt the feed to the load. The irregularities are registered by each UPS with alarms and visualized on the same front panel of the UPS.

In the event that a system mode has a rectifier breakdown or mains loss, in the “n UPS in normal functioning”, the UPS will continue to distribute the load discharging the battery, automatically isolating itself from the system until the end of the back-up time and transfers the system to the “n-1” UPS normal operating mode.

If the system is transferred to the Manual Bypass (MB), the load gets fed directly from the mains, therefore not guaranteeing the continuity of the load and the entire parallel system becomes separated from the load.

### 3.2.1 "N" UPS in normal operating mode

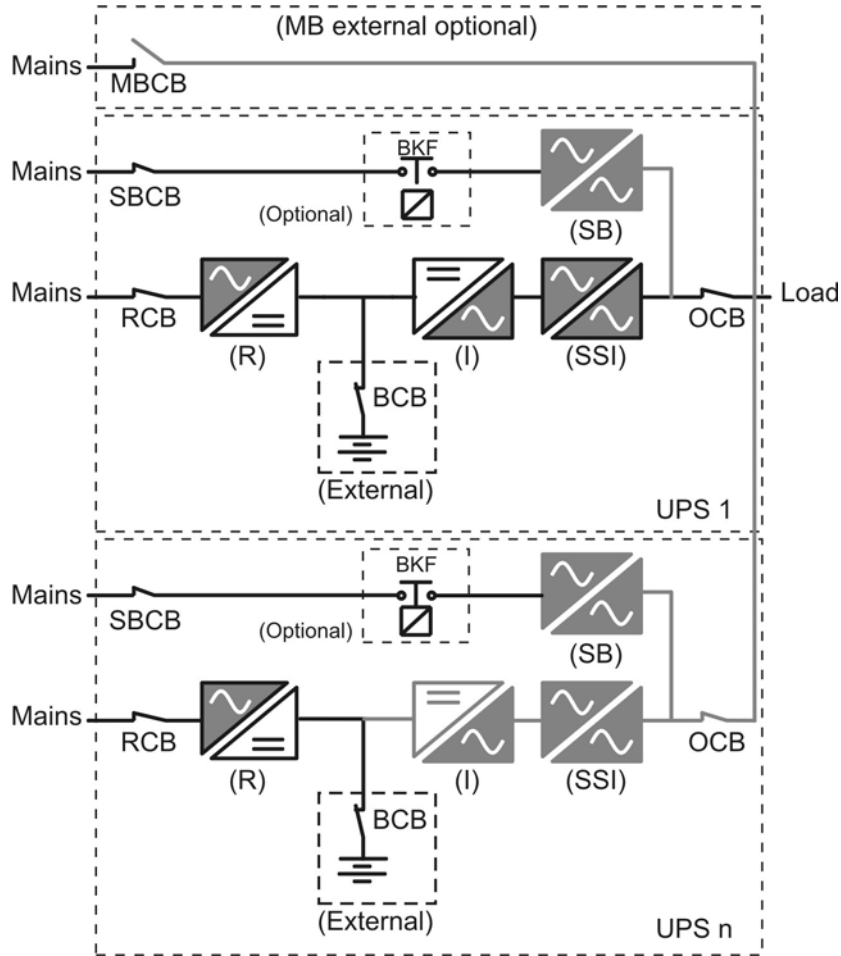
Load feed by inverter and possibility of a continuity breakdown.



Picture 2 – "N" UPS in normal functioning mode

### 3.2.2 “N-1” UPS normal functioning mode

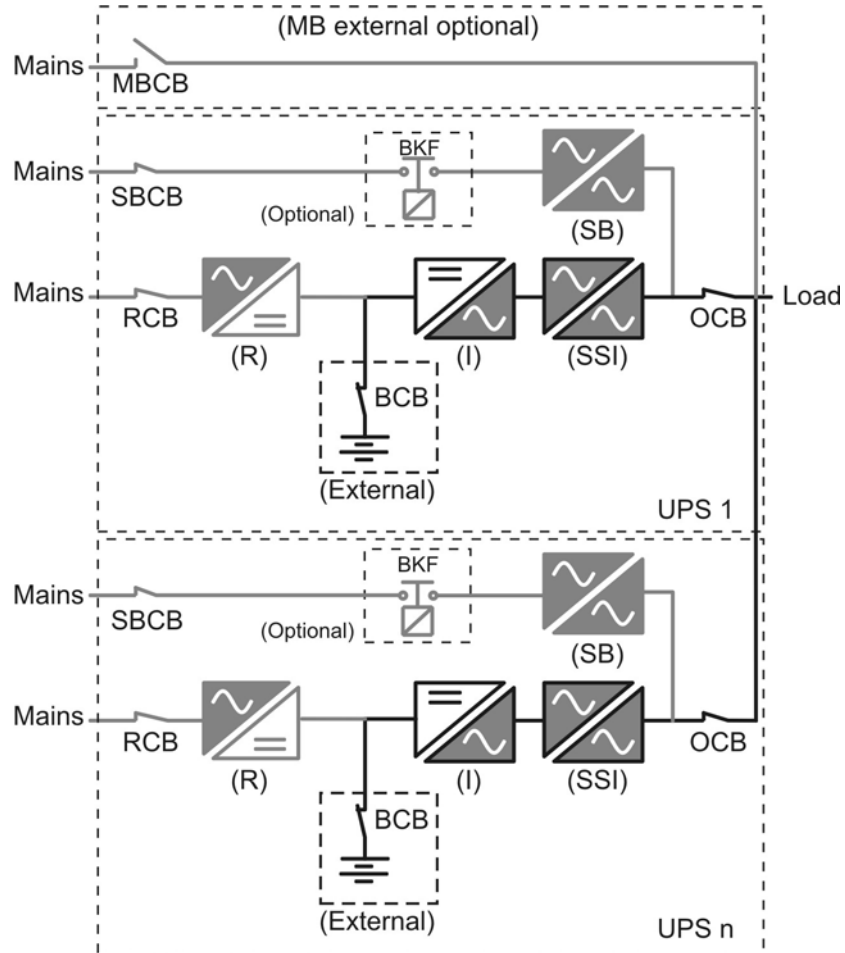
Load on inverter and, in case of breakdown, transfer to bypass (if available).



Picture 3 – “N-1” UPS in normal functioning mode

### 3.2.3 Mains fault

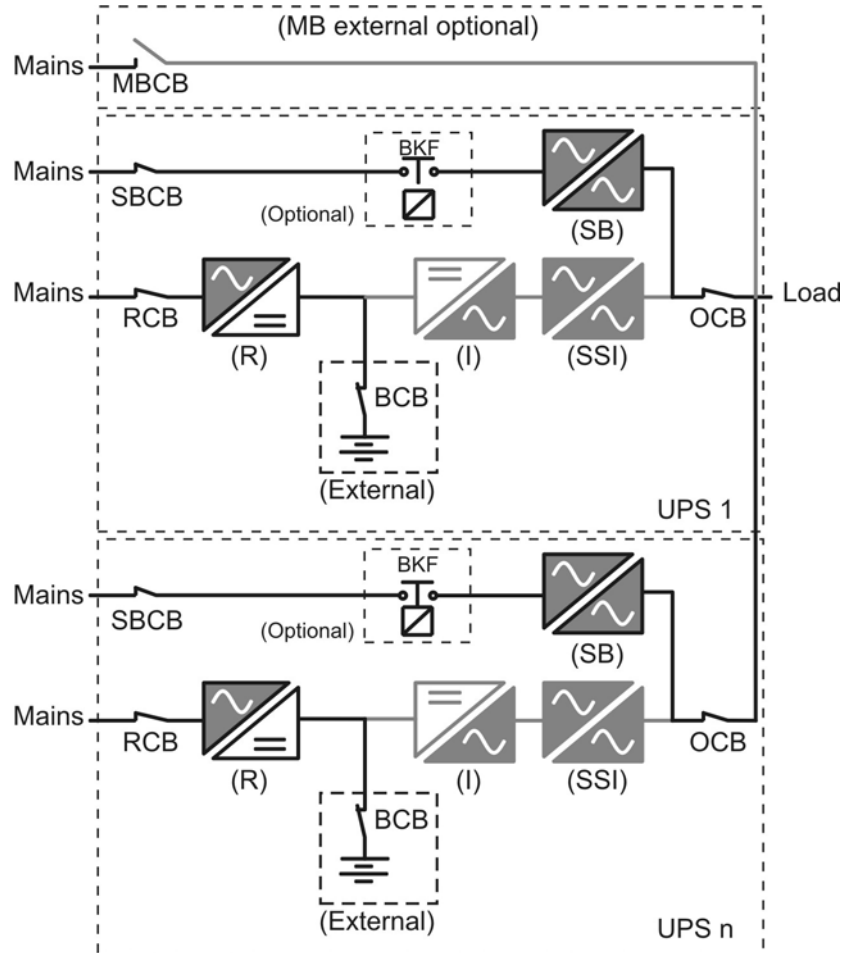
Load on inverter feed by battery.



Picture 4 – Mains failure

### 3.2.4 “N” bypass available

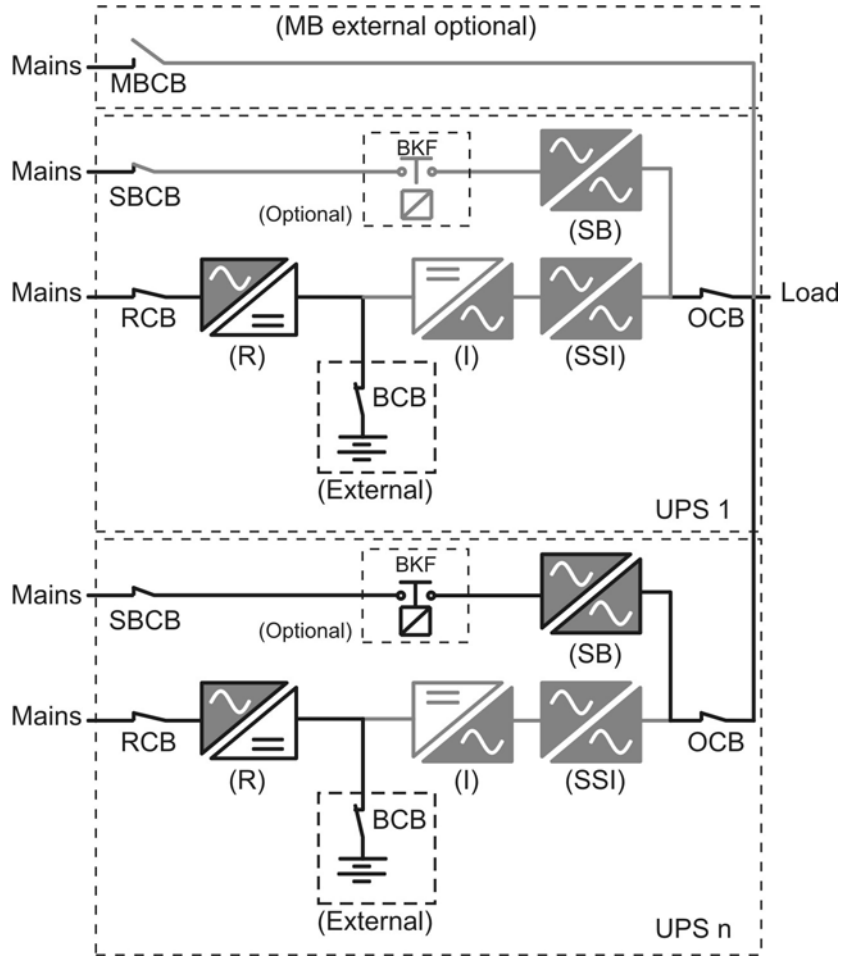
Load on bypass in the event of at least two inverter breakdowns or overload.



Picture 5 – “N” bypass available

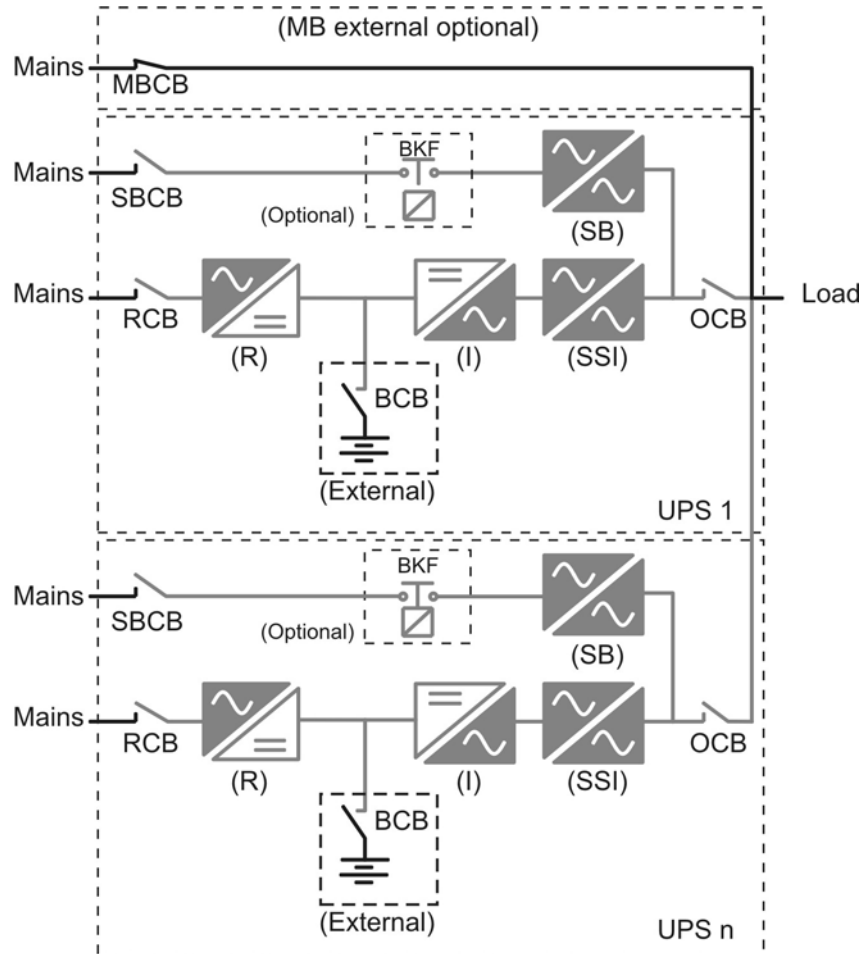
### 3.2.5 “N-1” bypass available

Load on bypass in the event of at least two inverter breakdowns or overload.



Picture 6 – “N-1” bypass available

### 3.2.5 Manual bypass



Picture 7 – Manual Bypass



## 4. INSTALLATION PARALLEL REDUNDANT KIT

Before installing the redundant parallel system, follow carefully the “INSTALLATION” chapter in the “UPS OPERATING MANUAL” for the individual units, to be aware of all the information regarding:

- Reception of UPS
- Size and weight
- Distance from walls
- Cable sections, fuses and terminal board

### 4.1 SUPPLEMENTARY HARDWARE

In order to transform “N” standard “Individual” unit into a redundancy parallel system, it is necessary to obtain a Parallel N kit.

Each Parallel Kit contains:

- N. 1 Parallel interface card PB214 Rev.B or Higher SLOT-PAR (Pict. 8)
- N. 1 Connection cable CAN (DB9-DB9) (Pict.8)
- N. 1 Parallel Kit Manual



Picture 8 – Contents of the package

### 4.2 FUNCTION

The parallel-kit enables UPS's designed as single units to be modified for parallel operation. This procedure describes the connection and configuration of the system. The working steps in this manual and the Operation-Manual for Paralleling must be followed to ensure the correct installation and setup of the system.

### 4.3 POSITIONING

It is advisable to place the two UPSs at a distance of at least 10 cm from each other in order to facilitate the passage of power and signal cables.

#### 4.4 INSTALLATION

This description contains all information for the installation of the PCB into a single unit.

For changing a single UPS into a parallel operational UPS it is necessary to mount the Interface PCB in the UPS and repeat all the steps for each unit being part of the parallel system.

Before starting the work it is necessary to stop each UPS and/or put the load into the Manual-Bypass-Mode. For this step please refer to the Operating Manual.

#### ATTENTION

We strongly point out that the load is not supplied with a secure power-supply when using the Manual-Bypass, a mains blackout could lead to an interruption of the power-supply to the load.

After transferring the load to the Manual-Bypass and stopping the UPS, verify the flat-cable W30C is fixed on the slot-plate. Connect the cable W30C to the connector CN1 on the SLOT-PAR-PCB and mount the card with the two screws in the slot of the UPS (see picture 10).

For a proper communication between all UPS it is mandatory to terminate the CAN-Bus by using 120 Ohm-resistors. This is done using jumpers on the first and last UPS'S in the system.

Configuration of the jumper of the SLOT-PAR-PCB in function of the amount of UPS used in the parallel system:

N UPS System	UPS1	UPS2	UPS3	UPS4	UPS5	UPS6
2	JP1 Closed JP2 Closed	JP1 Closed JP2 Closed				
3	JP1 Closed JP2 Closed	JP1 Open JP2 Open	JP1 Closed JP2 Closed			
4	JP1 Closed JP2 Closed	JP1 Open JP2 Open	JP1 Open JP2 Open	JP1 Closed JP2 Closed		
5	JP1 Closed JP2 Closed	JP1 Open JP2 Open	JP1 Open JP2 Open	JP1 Open JP2 Open	JP1 Closed JP2 Closed	
6	JP1 Closed JP2 Closed	JP1 Open JP2 Open	JP1 Open JP2 Open	JP1 Open JP2 Open	JP1 Open JP2 Open	JP1 Closed JP2 Closed

Picture 9 – Slot-Par jumper setting



Picture 10 – Install the Interface and connect the cable

The connection between all units involved is done by the CAN-BUS cable supplied with the kit.

Starting from the first unit, the cable is connected to “PAR CAN-OUT”. It goes to the second unit “PAR CAN-IN”.

If more than two units are configured for the parallel-system, some additional cable must be connected in the same sense: A second cable goes from the second unit “PAR CAN-OUT” to the third unit “PAR CAN-IN” etc.

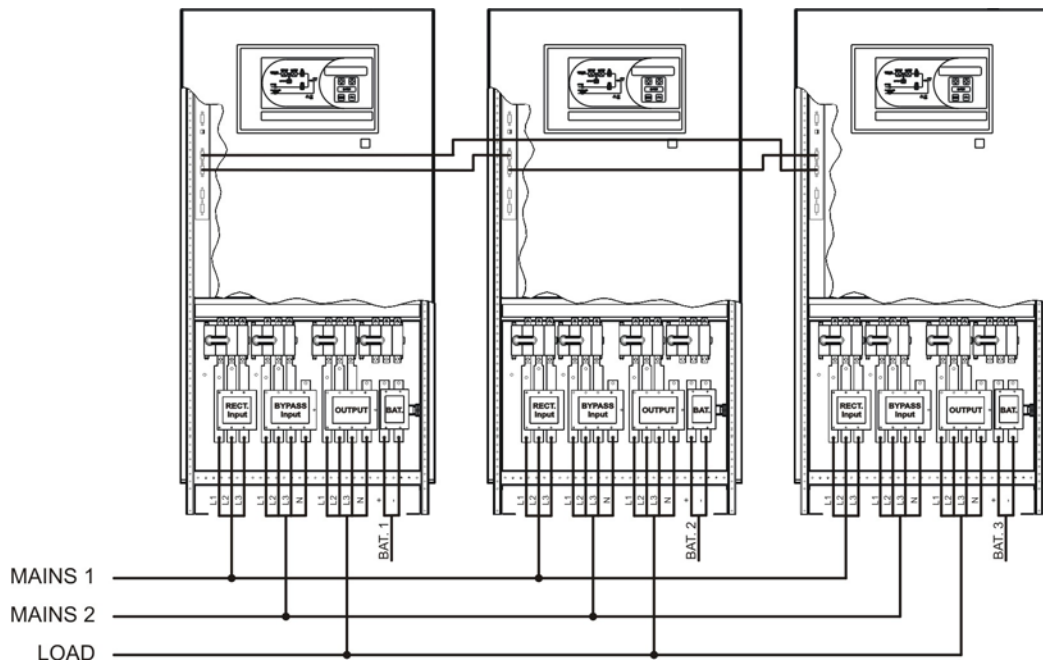
For Example: For 4 UPS, start the connection from UPS1 to the UPS2, from UPS2 to the UPS3, then from UPS3 to UPS4 and finally from UPS4 return to the UPS1 making a ring.

---

#### ATTENTION

Check accurately that the CAN-BUS cable is connected to the SLOT-PAR and not other DB9 ports present on the rear of the UPS. A wrong connection may be result in a damage of the interface card or/and the unit.

---



Picture 11 – BUS-CAN connection 3 units 160kVA



Picture 12 – Connection UPS 3 units 500kVA

## 4.5 UPS CONFIGURATION

After the installation and configuration of the additional hardware as well as the on board components in one units the procedure must be performed for every unit which shall belong the paralleled system. Each single unit of the parallel-system must be configured in terms of software by using the “EEPROM-Manager”.

### 4.5 1 Ups configuration parallel redundancy

- Connect a PC on which the UPS analyzer “EEPROM-Manager” is running to the RS232 or USB-Interface of the UPS
- Turn- On in Service position the service switch
- Start the software
- Select the suitable serial-interface. In case of mismatching interface an error-message will appear.
- Set the following entries to the required values:

**Flag- Parallel:** Enable

**Type parallel:** from this window it is possible to choose the parallel configuration to be desired:

- Redundancy Parallel N-1/N
- Power Parallel
- Auto parallel (the number of Inverter necessary to supply the load change dynamically with the load.

**UPS Parallel Index:** 1...6 (Each unit has a unique number in the parallel-system starting with “1”)

**UPS Parallel Number:** 2...6 (Total number of units in the parallel-system, the same number must be set in all involved units)

**Enalloor:** enable or disable = alarm redundant

**Dly\_Bosu:** generally this parameter is set for Diesel application:

- 1 second for UPS 1
- 30 seconds for UPS 2
- 60 seconds for UPS 3
- Etc etc

**RIT\_CRID:** time for change from parallel redundant to power parallel or vice versa in accord with the load power (active only in the Auto parallel).

Press the button Send Data to configure the new parameters.

**Parallel redundant & power system UPS 60...800kVA FXS – Operating manual**  
**Sistema parallelo ridondante e di potenza UPS 60...800kVA FXS – Manuale operativo**

Nome	Descrizione	Valore EEPROM	Nuovo valore
NOM_PF	Nominal Power Factor [%]	80	80
DEV_SN	Device Serial Number	ET5N44004	ET5N44004
OEM_SN	OEM Serial Number	0000000000	0000000000
<b>ECO MODE</b>			
ECO_MODE	Eco Mode	DISABLED	DISABLED
ECO_TIME	Bypass OK minimum lasting time [s]	10	10
<b>PARALLELE</b>			
FLAG_PAR	Parallel Function	ENABLED	ENABLED
TYPE_PAR	Parallel Type	RED+1	RED+1
PAR_IND	Parallel Index	1	AUTO POW
PAR_NUMB	Number of Units in Parallel	2	RED-1
ENALLOR	Redundancy Lost Alarm	ENABLED	RED+2
RIT_CRID	Delay redundancy variation [min]	1	RED+3
<b>CONFIGURATION</b>			
LANG_DIS	Display Language	ENG	ENG
BUZZ_ON	Buzzer	ENABLED	ENABLED
FLAG_EPO	Emergency Power Off EPO	ENABLED	ENABLED
<b>MAINS</b>			
MAI_F_TL	Mains Frequency Tolerance [%]	10	10
<b>BYPASS</b>			
TIPO_BYP	Bypass	LOCAL	LOCAL
BYP_V_NM	Bypass Nominal Voltage [V]	230	230
BYP_V_TL	Bypass Nominal Voltage Tolerance [%]	10	10
BYP_F_TL	Bypass Frequency Tolerance [%]	10	10
<b>RECTIFIER</b>			
R_V_FLOA	Battery Floating Voltage [V]	680	680
R_VDCNOM	VDC Nominal Voltage [V]	600	600
DLY_BOSU	Delay Time Rectifier Startup [s]	1	1
PD_WK_IN	Walkin Time Rectifier [s]	10	10
F_BOOST	Boost Function	DISABLED	DISABLED
R_DT_MIN	Min. Disch. Time to Sat. Boost from 1	1	1

Picture 13 – Eeprom Manager parameters setting parallel redundant

- Disconnect the software
- Turn-Off the in Normal position the service switch
- Proceed to configure the parameters for each UPS of the Parallel System

## 5. START UP AND CHECK OF THE PARALLEL SYSTEM

After installation of hardware and configuration of the involved units for the parallel-system, the function of the units should be verified. Doing so the units should be started in the “Manual-Bypass-Mode”.

The procedure to go is as follows:

- Close the MCB for each involved unit
- Put the “Bypass-Switch” of each involved unit into position “Bypass”
- Close the RCB of each involved unit
- Follow the instructions shown on the front-panels of the units until the message appears: “STARTING FROM MANUAL BYPASS – OPEN ALL MCB”
- The lower 2 row in the display shows correspondingly the actual configuration of the parallel-system, e.g.:
- UPS MASTER : PARALLEL [1M] 2S
- UPS SLAVE : PARALLEL 1M [2S]

The display shows the numbers of the involved UPS in the parallel-system

**M**: Indicates the MASTER of the system (Normally the master is the UPS with the lowest number)

**S**: Indicates the involved slave-UPS in the system

**[ ]**: Shows the actual order number of that particular UPS within the parallel-system.

The first UPS has the number “1” in the brackets

The second UPS has the number “2” in brackets

**?**: Indicates that the UPS does not communicate with the rest of the involved UPS within the parallel system

**-**: Indicates that there is no further UPS within the parallel-system

---

### ATTENTION

If the message on the display shows “OPEN MCB” instead of “OPEN ALL MCB” it indicates that this particular unit has been programmed in single mode and not in parallel-mode! It is mandatory to reconfigure the UPS into parallel-mode before proceeding!

It is not possible that two or more UPS become Master in the parallel-system at the same time.

It must be avoided that two or more units have the square brackets on the same number. This indicates a wrong configuration of the particular UPS within the system.

There shall be no “?” sign displayed under the row of numbers, which indicates a communication problem of the UPS

---

- If the configuration of the units involved has been verified at this stage, proceed to start-up when the message “OPEN ALL MCB” appears.
- After this move the Bypass-Switch of the units. The parallel-system will take over the load if “N-1” switches have been set in position “Normal”.
- Move the last Bypass-Switch into position “Normal”.
- The UPS feed the load in parallel if the message “Start-up end” appears.



## 6. SYSTEM PERFORMANCE

The static and dynamic performance of the parallel system improves with every individual unit since, thanks to the redundancy, the total available power is superior to the nominal load of the system.

### 6.1 OVERLOAD

The overload limit in a parallel system depends on the number of units connected to the load:

$$I_{max} = n * I_n$$

where “n” = number of the units that distribute on the load, “In” = nominal current of the individual units

If the load exceeds this limit, there is an indication on the front panel of the UPS, an overload alarm with relative sound signal; this alarm activates the algorithm of thermic image and after a certain time the load gets transferred on to the bypass (if available).

### 6.2 SHORT CIRCUIT

If a short circuit is verified at the output, the system automatically transfers the load on to the bypass (if available), otherwise all the units distribute a current equal to 150% In for 5 cycles, (100 msec), afterwards if the short circuit condition has not been removed, a current equal to 125% In for 5 seconds is distributed

## 7. START-UP

### 7.1 CASE OF 2 UPS – *DIRECT START-UP*

When the system is comprised of two UPS, it is possible to start up the system directly. To proceed with the start up of a UPS, close the RCB switch and follow the guided procedures on the display. After this, the other UPS may be started up normally, closing the RCB and following the procedure on the display.

### 7.2 CASE OF 2 UPS – *MANUAL BYPASS START-UP*

In the case of two UPS, it is also possible to start up the parallel system starting with the manual bypass.

If the UPS are already in the Manual Bypass, verify the first two points.

The procedure is as follows:

The UPS are not supplied with all switches opened.

- Close the Manual Bypass MCB of both UPS
- Switch both Bypass Switches to the BYPASS position
- Close RCB on both of the UPS

---

#### **WARNING**

When “OPEN ALL MCB” is requested, all the MCB of all the UPS and/or MCB external cabinets must be opened.

---

- Follow the start up instructions on the front panel proceeding for each UPS until the “MOVE BYPASS SWITCH” appears.
- Move the Bypass Switch, the UPS feeds the load.
- Move the Bypass Switch, the UPS feeds the parallel and the “START-UP FINISHED” message appears.

### 7.3 CASE OF N UPS – *START-UP FROM MANUAL BYPASS*

When there UPS are more than two UPS it is possible to start up the parallel system only by starting from the manual bypass. This serves to insert all the ups onto the load bar contemporaneously.

If the UPS are already in Manual Bypass control the first two points.

The procedure is as follows:

The UPS are not supplied with all switches opened.

- Close the Manual Bypass MCB on all of the UPS
- Switch all the Bypass Switches to BYPASS
- Close RCB on all of the UPS

---

#### **WARNING**

When “OPEN ALL MCB” is requested, all the MCB of all the UPS and/or MCB on the external cabinets must be opened.

---

- Follow the start up instructions on the front panel proceeding for each UPS until the “MOVE BYPASS SWITCH” message appears.
- Move the Bypass Switch on the UPS. The parallel system feeds the load when N-1 Bypass Switch is on Normal mode.
- Move the Bypass Switch of the remaining UPS.
- The UPS feed the parallel load and the message “START UP FINISHED” appears.

#### **7.4 PROCEDURE FOR TRANSFERRING TO MANUAL BYPASS**

Set all the Bypass Switches to “Bypass”, making the system change over to the Bypass system, orange Led 6 illuminates on the front panel of all the UPS of the system.

Close one or more MCB (all the inverters stop with relevant alarm).

Parting from each UPS comprising the parallel system open the switches OCB, SBCB, BCB and RCB, in this order.

#### **7.5 PROCEDURE TO RETURN FROM MANUAL BYPASS**

The system is under the Manual Bypass condition with one or more MCB switches closed and ALL the Bypass Switches set to BYPASS.

To re start the system with continuity of loads, follow the procedure below:

##### **7.5.1 Case of 2 or N UPS – Restart up from manual BYPASS**

- Close RCB on all the UPS
- Follow the start up instructions on the front panel proceeding for each UPS until the “CLOSE BYPASS SWITCH” message appears.
- Move the Bypass Switch on the UPS. The parallel system feeds the load when the N-1 Bypass Switches are set in the Normal Mode.
- Move the Bypass Switch of the remaining UPS, the UPS feed the load and the message “START UP FINISHED” appears.

---

#### **WARNING**

When the request “OPEN ALL MCB” appears, all the MCB of all the UPS and/or MCB on the external cabinets must be opened.

---

---

#### **PLEASE NOTE**

In the UPS B9600 The Manual Bypass is external and optional. Generally is only one for all units and it's mounted on a external cabinet.

---

---

#### **PLEASE NOTE**

In systems with more than 2 UPS, the inverter is controlled by the N-1 Inverter logic on N.

Therefore, if there are 3 UPS, normal operating mode is restored once the Bypass Switch of the second unit is set to the Normal Mode, and completes the start up of two UPS.

---

## **8. POWER PARALLEL SYSTEM**

### **8.1 DESCRIPTION POWER PARALLEL SYSTEM**

The power parallel system is constituted by “N” UPS (up to a maximum of 5+1 units), configured as redundant parallel units. In the UPS 400-500-600-800 The Manual Bypass is external and optional, and generally is only one for all units.

In addition to the standard functions as uninterruptible power supply, total power control and protection of the load from mains distortion, the power parallel system guarantees an uninterrupted power supply only in case of any internal failure in one of the UPS units.

All units are constantly in operation and feed the load in parallel at “total load \* n”, where “n” is the number of the UPS.

The AC automatic current sharing control equalizes the currents of the “n” units and reduces the total unbalance at less than 10%, under all load conditions.

The load is supplied by the inverters in parallel for an instantaneous overload up to “n x 200%” of the nominal load of the single unit.

In case of a failure in one unit, the static bypass supply the load.

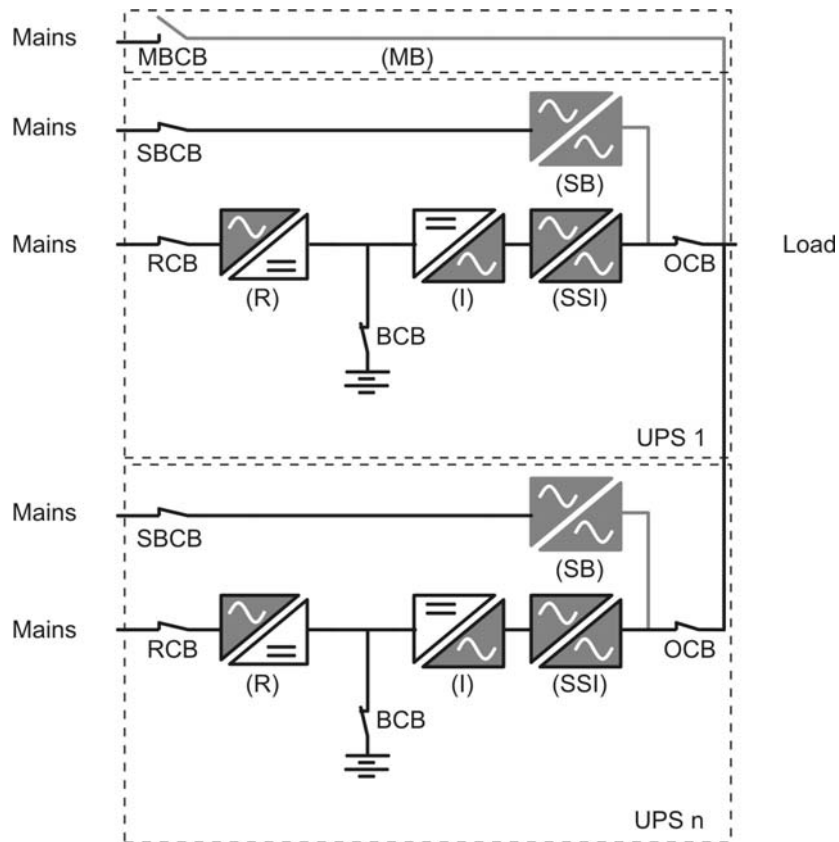
### **8.2 OPERATIONAL STATUS POWER PARALLEL SYSTEM**

If a breakdown occurs for which a UPS can no longer distribute on the load, during the state of “n UPS in normal functioning”, the power parallel system gets transferred to the bypass all the units. The irregularities are registered by each UPS with alarms and visualized on the same front panel of the UPS.

In the event that a system mode has a rectifier breakdown or mains loss, in the “n UPS in normal functioning”, the UPS will continue to distribute the load discharging the battery, automatically isolating itself from the system until the end of the back-up time and transfers all the system in electronics bypass.

If the system is transferred to the Manual Bypass (MB), the load gets fed directly from the mains, therefore not guaranteeing the continuity of the load and the entire parallel system becomes separated from the load.

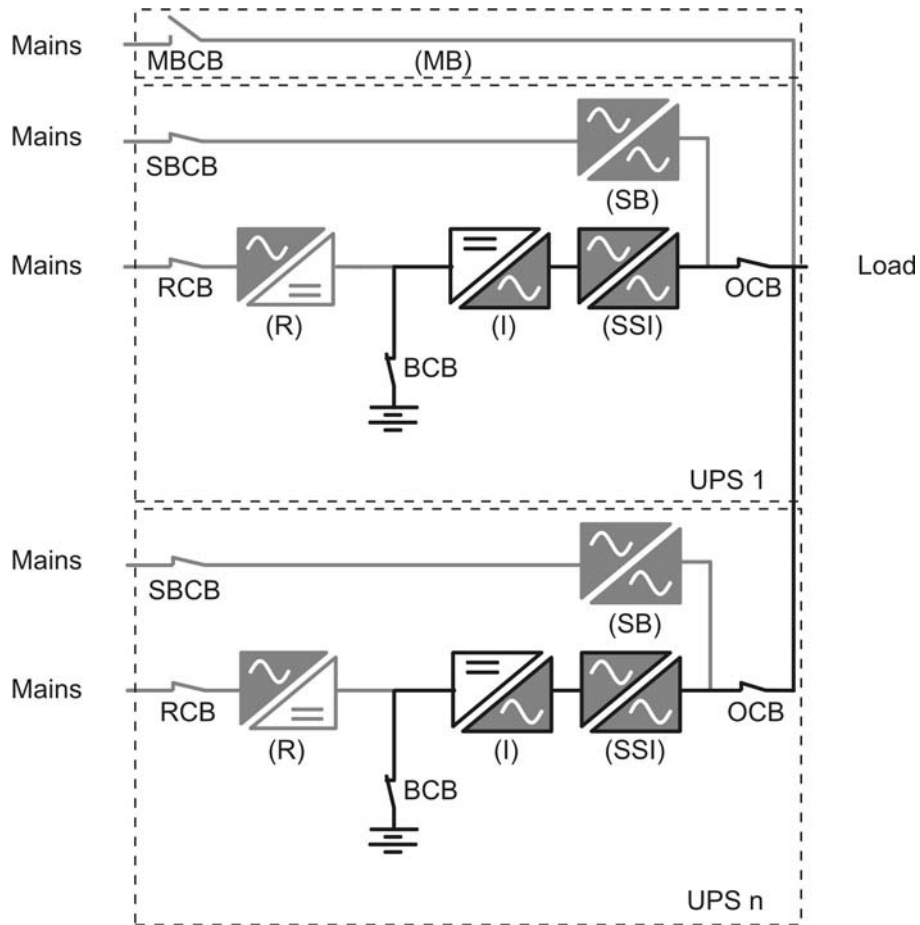
### 8.2.1 “N” UPS normal condition



Picture 14 – “N” ups normal condition

## 8.2.2 Mains failure

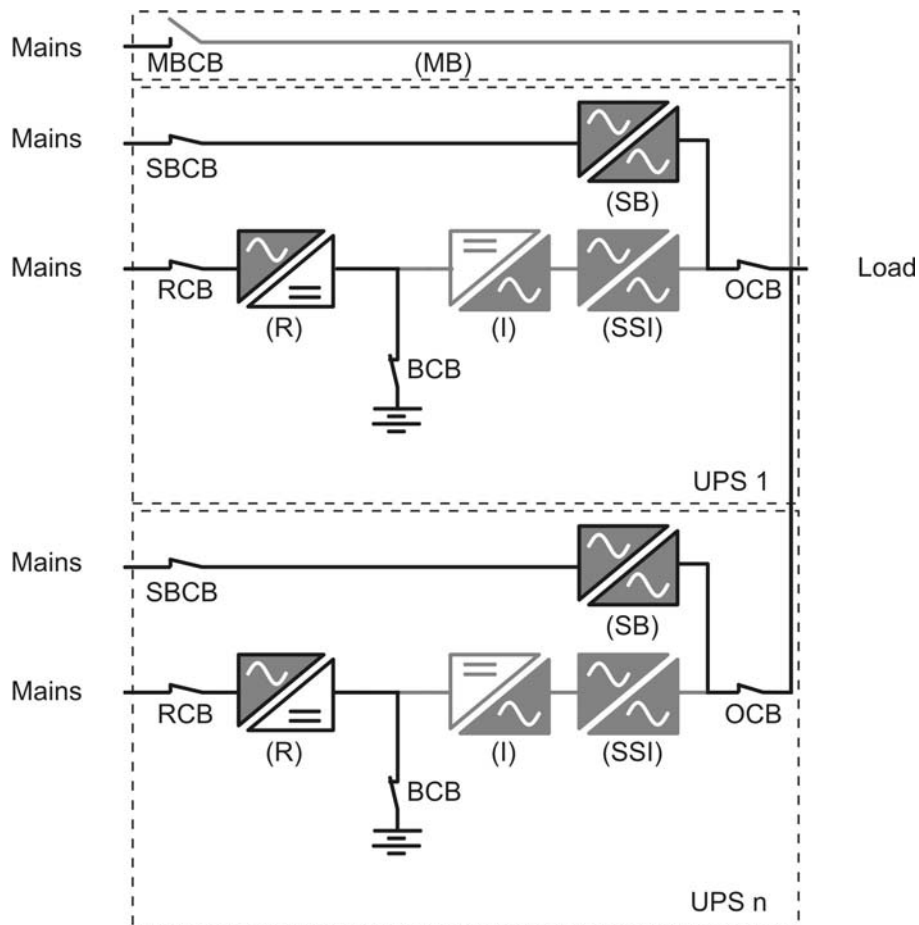
Load on inverter supplied from the battery



Picture 15 – Mains failure

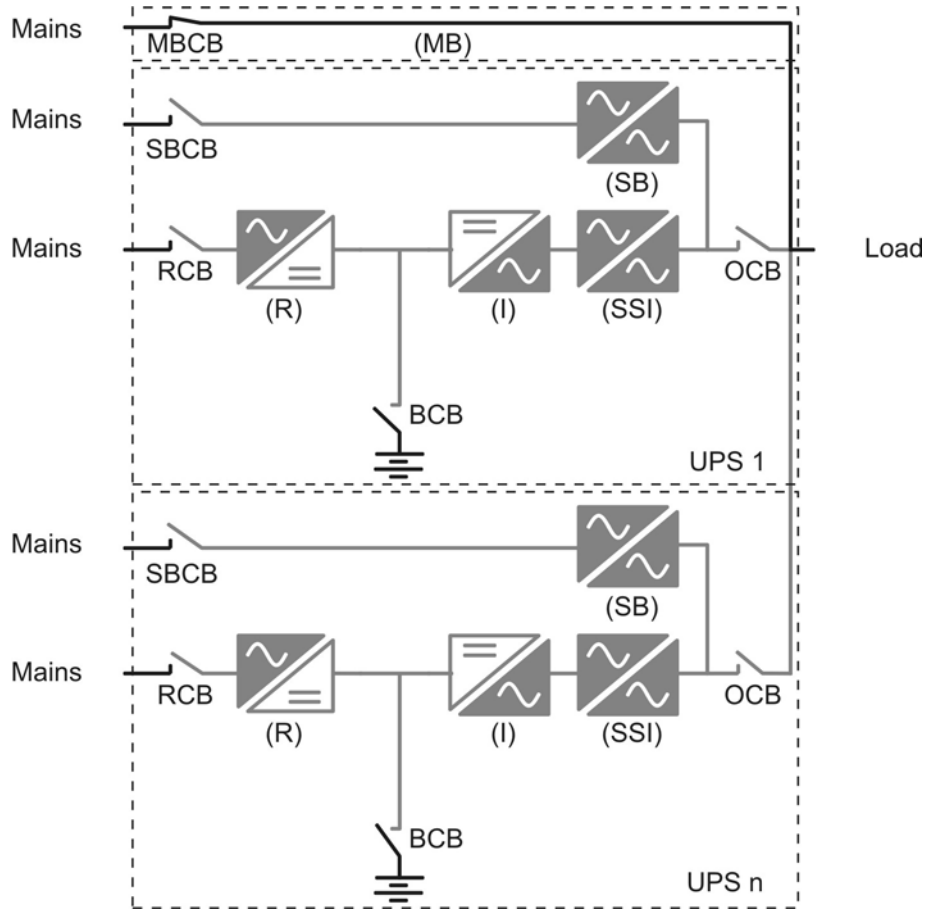
### 8.2.3 “N” bypass available

Load on bypass in case of at least one inverter failures or overload.



Picture 16 – “N” bypass available

### 8.2.4 Manual bypass



Picture 17 – Manual bypass



## 9. INSTALLATION REDUNDANT PARALLEL KIT

Before installing the redundant parallel system, follow carefully the “INSTALLATION” chapter in the “UPS OPERATING MANUAL” for the individual units, to be aware of all the information regarding:

- reception of UPS
- size and weight
- distance from walls
- cable sections, fuses and terminal board

### 9.1 SUPPLEMENTARY HARDWARE

In order to transform “N” standard “Individual” unit into a power parallel system, it is necessary to obtain a Parallel N kit.

Each Parallel Kit contains:

- N. 1 Parallel interface card PB214 Rev.B or Higher SLOT-PAR (Pict. 18)
- N. 1 Connection cable CAN (DB9-DB9) (Pict. 18)
- N. 1 Parallel Kit Manual



Picture 18 – Contents of the package

### 9.2 FUNCTION

The parallel-kit enables UPS's designed as single units to be modified for parallel operation. This procedure describes the connection and configuration of the system. The working steps in this manual and the Operation-Manual for Paralleling must be followed to ensure the correct installation and setup of the system.

### 9.3 POSITIONING

It is advisable to place the two UPSs at a distance of at least 10 cm from each other in order to facilitate the passage of power and signal cables.

## 9.4 INSTALLATION

This description contains all information for the installation of the PCB into a single unit.

For changing a single UPS into a parallel operational UPS it is necessary to mount the Interface PCB in the UPS and repeat all the steps for each unit being part of the parallel system.

Before starting the work it is necessary to stop each UPS and/or put the load into the Manual-Bypass-Mode. For this step please refer to the Operation-Manual.

### ATTENTION

We strongly point out that the load is not supplied with a secure power-supply when using the Manual-Bypass. A mains blackout could lead to an interruption of the power-supply to the load.

After transferring the load to the Manual-Bypass and stopping the UPS, verify the flat-cable W30C is fixed on the slot-plate. Connect the cable W30C to the connector CN1 on the SLOT-PAR-PCB and mount the card with the two screws in the slot of the UPS (see picture 20).

For a proper communication between all UPS it is mandatory to terminate the CAN-Bus by using 120 Ohm-resistors. This is done using jumpers on the first and last UPS'S in the system.

Configuration of the jumper of the SLOT-PAR-PCB in function of the amount of UPS used in the parallel system:

N UPS System	UPS1	UPS2	UPS3	UPS4	UPS5	UPS6
2	JP1 Closed JP2 Closed	JP1 Closed JP2 Closed				
3	JP1 Closed JP2 Closed	JP1 Open JP2 Open	JP1 Closed JP2 Closed			
4	JP1 Closed JP2 Closed	JP1 Open JP2 Open	JP1 Open JP2 Open	JP1 Closed JP2 Closed		
5	JP1 Closed JP2 Closed	JP1 Open JP2 Open	JP1 Open JP2 Open	JP1 Open JP2 Open	JP1 Closed JP2 Closed	
6	JP1 Closed JP2 Closed	JP1 Open JP2 Open	JP1 Open JP2 Open	JP1 Open JP2 Open	JP1 Open JP2 Open	JP1 Closed JP2 Closed

Picture 19 – Slot-Par jumper setting



Picture 20 – Install the Interface and connect the cable

The connection between all units involved is done by the CAN-BUS cable supplied with the kit.

Starting from the first unit, the cable is connected to “PAR CAN-OUT”. It goes to the second unit “PAR CAN-IN”.

If more than two units are configured for the parallel-system, some additional cable must be connected in the same sense: A second cable goes from the second unit “PAR CAN-OUT” to the third unit “PAR CAN-IN” etc.

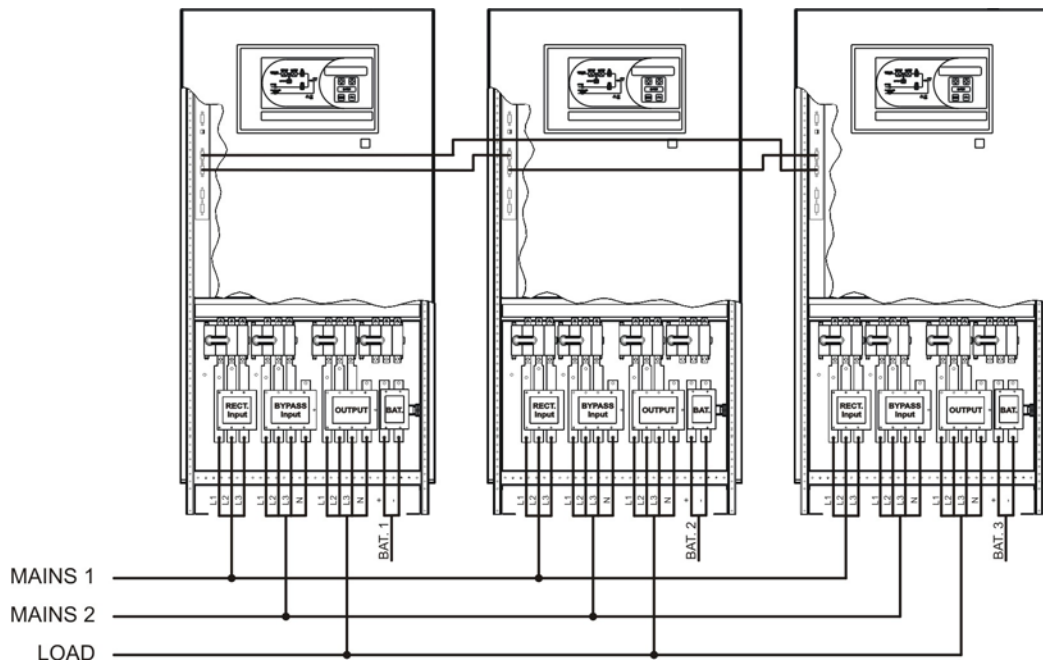
For Example: For 4 UPS, start the connection from UPS1 to the UPS2, from UPS2 to the UPS3, then from UPS3 to UPS4 and finally from UPS4 return to the UPS1 making a ring.

---

### ATTENTION

Check accurately that the CAN-BUS cable is connected to the SLOT-PAR and not other DB9 ports present on the rear of the UPS. A wrong connection may be result in a damage of the interface card or/and the unit.

---



Picture 21 – BUS-CAN connection 3 units 160kVA



Picture 22 – Connection UPS 3 units 500kVA

## 9.5 UPS CONFIGURATION

After the installation and configuration of the additional hardware as well as the on board components in one units the procedure must be performed for every unit which shall belong the paralleled system. Each single unit of the parallel-system must be configured in terms of software by using the “EEPROM-Manager”.

### 9.5 1 Ups configuration parallel redundancy

- Connect a PC on which the UPS analyzer “EEPROM-Manager” is running to the RS232 or USB-Interface of the UPS
  - Turn- On in Service position the service switch
  - Start the software
  - Select the suitable serial-interface. In case of mismatching interface an error-message will appear.
  - Set the following entries to the required values:
    - Flag- Parallel:** Enable
    - Type parallel:** Power Parallel
    - UPS Parallel Index:** 1...6 (Each unit has a unique number in the parallel-system starting with “1”)
    - UPS Parallel Number:** 2...6 (Total number of units in the parallel-system, the same number must be set in all involved units)
    - Enalloor:** enable or disable = allarm redundant
    - Dly\_Bosu:** generally this parameter is set for Diesel application:
      - 1 second for UPS 1
      - 30 seconds for UPS 2
      - 60 seconds for UPS 3
      - Etc etc
    - RIT\_CRID:** time for change from parallel redundant to power parallel or vice versa in accord with the load power (active only in the Auto parallel).
- Press the button Send Data to configure the new parameters.

**Parallel redundant & power system UPS 60...800kVA FXS – Operating manual**  
**Sistema parallelo ridondante e di potenza UPS 60...800kVA FXS – Manuale operativo**

Nome	Descrizione	Valore EEPROM	Nuovo valore
NOM_PF	Nominal Power Factor [%]	80	80
DEV_SN	Device Serial Number	ET5N44004	ET5N44004
OEM_SN	OEM Serial Number	0000000000	0000000000
<b>ECO MODE</b>			
ECO_MODE	Eco Mode	DISABLED	DISABLED
ECO_TIME	Bypass OK minimum lasting time [s]	10	10
<b>PARALLELE</b>			
FLAG_PAR	Parallel Function	ENABLED	ENABLED
TYPE_PAR	Parallel Type	RED+1	RED+1
PAR_IND	Parallel Index	1	AUTO POW RED-1 RED-2 RED-3
PAR_NUMB	Number of Units in Parallel	2	
ENALLOR	Redundancy Lost Alarm	ENABLED	RED-2
RIT_CRID	Delay redundancy variation [min]	1	RED-3
<b>CONFIGURATION</b>			
LANG_DIS	Display Language	ENG	ENG
BUZZ_ON	Buzzer	ENABLED	ENABLED
FLAG_EPO	Emergency Power Off EPO	ENABLED	ENABLED
<b>MAINS</b>			
MAL_F_TL	Mains Frequency Tolerance [%]	10	10
<b>BYPASS</b>			
TIPO_BY	Bypass	LOCAL	LOCAL
BYP_V_NM	Bypass Nominal Voltage [V]	230	230
BYP_V_TL	Bypass Nominal Voltage Tolerance [%]	10	10
BYP_F_TL	Bypass Frequency Tolerance [%]	10	10
<b>RECTIFIER</b>			
R_V_FLOA	Battery Floating Voltage [V]	680	680
R_VDCNOM	VDC Nominal Voltage [V]	600	600
DLY_BOSU	Delay Time Rectifier Startup [s]	1	1
PD_WK_IN	Walkin Time Rectifier [s]	10	10
F_BOOST	Boost Function	DISABLED	DISABLED
R_DT_MIN	Min. Disch. Time to Safety Power [min]	1	1

Picture 23 – Eeprom Manager parameters setting parallel redundant

- Disconnect the software
- Turn-Off the in Normal position the service switch
- Proceed to configure the parameters for each UPS of the Parallel System

## 10. START UP AND CHECK OF THE PARALLEL SYSTEM

After installation of hardware and configuration of the involved units for the parallel-system, the function of the units should be verified. Doing so the units should be started in the “Manual-Bypass-Mode”.

The procedure to go is as follows:

- Close the MCB for each involved unit
- Put the “Bypass-Switch” of each involved unit into position “Bypass”
- Close the RCB of each involved unit
- Follow the instructions shown on the front-panels of the units until the message appears: “STARTING FROM MANUAL BYPASS – OPEN ALL MCB”
- The lower 2 row in the display shows correspondingly the actual configuration of the parallel-system, e.g.:
- UPS MASTER : PARALLEL [1M] 2S
- UPS SLAVE : PARALLEL 1M [2S]

The display shows the numbers of the involved UPS in the parallel-system

**M**: Indicates the MASTER of the system (Normally the master is the UPS with the lowest number)

**S**: Indicates the involved slave-UPS in the system

**[ ]**: Shows the actual order number of that particular UPS within the parallel-system.

The first UPS has the number “1” in the brackets

The second UPS has the number “2” in brackets

**?**: Indicates that the UPS does not communicate with the rest of the involved UPS within the parallel system

**-**: Indicates that there is no further UPS within the parallel-system

---

### ATTENTION

If the message on the display shows “OPEN MCB” instead of “OPEN ALL MCB” it indicates that this particular unit has been programmed in single mode and not in parallel-mode! It is mandatory to reconfigure the UPS into parallel-mode before proceeding!

It is not possible that two or more UPS become Master in the parallel-system at the same time.

It must be avoided that two or more units have the square brackets on the same number. This indicates a wrong configuration of the particular UPS within the system.

There shall be no “?” sign displayed under the row of numbers, which indicates a communication problem of the UPS.

---

- If the configuration of the units involved has been verified at this stage, proceed to start-up when the message “OPEN ALL MCB” appears.
- Upon the display request, move the by-pass switches of all the units in position NORMAL, starting from the UPS *Number 1*.
- The UPS feed the load in parallel if the message “Start-up end” appears.



## 11. SYSTEM PERFORMANCE

The static and dynamic performance of the parallel system improves with every individual unit since, thanks to the redundancy, the total available power is superior to the nominal load of the system.

### 11.1 OVERLOAD

The overload limit in a parallel system depends on the number of units connected to the load:

$$I_{max} = n * I_n$$

where “n” = number of the units that distribute on the load, “In” = nominal current of the individual units

If the load exceeds this limit, there is an indication on the front panel of the UPS, an overload alarm with relative sound signal; this alarm activates the algorithm of thermic image and after a certain time the load gets transferred on to the bypass (if available).

### 11.2 SHORT CIRCUIT

If a short circuit is verified at the output, the system automatically transfers the load on to the bypass (if available), otherwise all the units distribute a current equal to 150% In for 5 cyles, (100 msec), afterwards if the short circuit condition has not been removed, a current equal to 125% In for 5 seconds is distributed

## 12. START-UP

### 12.1 START-UP FROM MANUAL BY-PASS

The procedure is the following:

- Close the manual by-pass breaker MCB in ALL the UPS
- Move the by-pass switches in BY-PASS position in ALL the UPS
- Close RCB in ALL the UPS
- Follow the instructions on the display on the UPS having the lower position (*Number 1*) until it shows the message “OPEN ALL MCB”. Do not open the MCB breakers at this point.
- Proceed as indicated above for all the units up to the one having the higher position (*Number “N”*)
- Verify that all the by-pass static switches are closed
- Open the manual by-pass breaker MCB in ALL the UPS
- Upon the display request, move the by-pass switches of all the units in position NORMAL, starting from the UPS *Number 1*.

### 12.2 MANUAL BY-PASS TRANSFER PROCEDURE

On the power parallel system, where all the inverters are necessary to supplied the load, when one inverter is removed by Bypass Switch, the load is transferred on bypass (emergency line).

Move ALL by-pass switches in position BY-PASS, so that the load is transferred to the emergency line on all the UPS systems (LED 6 on the front panel lit orange).

Close one or more MCB (all the inverter will stop with the alarm A13).

Starting from the UPS having the higher position (*Number “N”*), open the breakers OCB, SBCB, BCB, RCB.

### 12.3 RE-START FROM MANUAL BY-PASS

The system is in Manual By-pass condition, with one or more MCB breakers closed and ALL the by-pass switches in BY-PASS position, according to the procedure described at point 12.2.

The system can be re-started according to the following procedure:

- Close RCB in ALL the UPS
- Follow the instructions on the display on the UPS having the lower position (*Number 1*) until it shows the message “OPEN ALL MCB”. Do not open the MCB breakers at this point.
- Proceed as indicated above for all the units up to the one having the higher position (*Number “N”*)
- Verify that all the by-pass static switches are closed
- Open the manual by-pass breaker MCB in ALL the UPS
- Upon the display request, move the by-pass switches of all the units in position NORMAL, starting from the UPS *Number 1*.

---

#### ATTENTION

When all the displays will show “OPEN ALL MCB”, the operator must open ALL MCB breakers and/or MCB installed in external cabinets.

---

**LINGUA ITALIANA**

## 1. INTRODUZIONE

Questo manuale ha lo scopo di guidare l'installatore o l'utente ad una corretta installazione del sistema parallelo ridondante nell'ambiente di utilizzo.

**Prima di leggere questo manuale, l'utente dovrà leggere attentamente il "MANUALE OPERATIVO DELL'UPS", ed eseguire correttamente quanto in esso dichiarato per le singole unità, specialmente le richieste relative alla sicurezza in accordo alle CEI 64-8 ed alla 46-90.**

**Il costruttore declina ogni responsabilità verso danni a persone o cose, derivanti dall'inadempienza di quanto sopra.**

## 2. PARTI CHE COSTITUISCONO IL SISTEMA

Tutte le unità sono formate da sei sotto-assiemi funzionali:

- Raddrizzatore IGBT(R)
- Inverter (I)
- Batteria (B)
- Interruttore Statico: Statico Inverter (SSI) e Bypass Statico (SB)
- BKF opzionale (standard solo per UPS 400-500-600-800kVA)
- Bypass Manuale (MB) standard interno ed opzionale esterno per UPS 60-80-100-125-160-200-250-300kVA, solo opzionale esterno per UPS 400-500-600-800kVA
- Pannello Frontale

Per la descrizione dei singoli sotto-assiemi vedere “MANUALE OPERATIVO UPS”

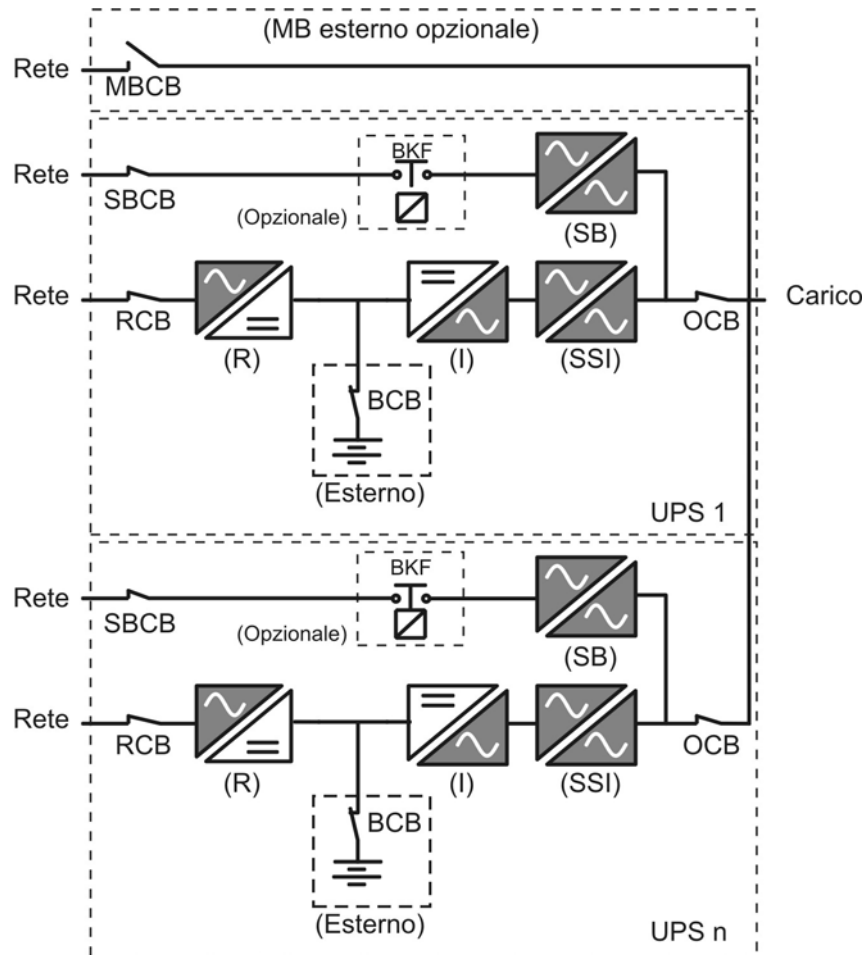


Figura 1 – Schema a blocchi

## **3. PARALLELO RIDONDANTE**

### **3.1 DESCRIZIONE SISTEMA PARALLELO RIDONDANTE**

Il sistema parallelo ridondante è formato da “N” UPS (fino a un massimo di 5+1 unità), configurati come unità in parallelo ridondante.

Nella linea 400-500-600-800kVA l'interruttore di Bypass manuale è opzionale, esterno e generalmente unico per tutte le unità.

In aggiunta alle funzioni standard di un UPS come continuità di alimentazione, protezione del carico dalle distorsioni di rete ecc., il sistema parallelo ridondante garantisce una continuità di alimentazione anche nel caso in cui si verifichi più di un guasto sul sistema.

Questo è possibile perché tutte le unità sono costantemente operative ed alimentano il carico in parallelo, fornendo ciascuna una corrente pari al “carico totale / n”, dove “n” è il numero delle unità che stanno erogando in quel momento.

Il controllo automatico di ripartizione della corrente AC, equalizza le correnti delle “n” unità e riduce lo sbilanciamento al meno del 10%, in tutte le condizioni di carico.

Il carico è alimentato dagli inverter in parallelo anche nel caso in cui si verifichi un sovraccarico istantaneo  $\leq$  “n x 200%” del carico nominale di ogni singola unità.

Nel caso si verifichi un guasto in una delle unità, il carico viene alimentato dalle altre. Solo nel caso in cui si verifichino ulteriori guasti nelle altre unità, il carico viene trasferito sulla Rete di Emergenza (Bypass).

### **3.2 STATI DI FUNZIONAMENTO PARALLELO RIDONDANTE**

Durante lo stato di “n UPS in funzionamento normale” se avviene un guasto per cui un UPS non può più erogare sul carico, il sistema parallelo ridondante viene trasferito nello stato di “n-1 UPS in funzionamento normale”. In questa condizione un'ulteriore anomalia di un UPS che ne impedisca l'alimentazione del carico, trasferisce il sistema nella condizione “Linea di Emergenza, Bypass, alimenta il carico”, ogni anomalia aggiuntiva, può o non, a seconda del tipo di anomalia, interrompere l'alimentazione al carico. Le anomalie vengono segnalate da ciascun UPS con allarmi sonori e sul pannello frontale dell'UPS stesso.

Nel caso che in un sistema nello stato “n UPS in funzionamento normale” si abbia la condizione di guasto raddrizzatore o mancanza rete, l'UPS continuerà ad erogare sul carico scaricando la batteria, escludendosi dal sistema in automatico alla fine della autonomia e trasferendo il sistema nella condizione “n-1 UPS in funzione normale”.

Se il sistema viene trasferito in Bypass Manuale (MB) il carico viene alimentato direttamente dalla rete d'ingresso, quindi non è garantita la continuità sul carico, e l'intero sistema di parallelo risulta separato dal carico.

### 3.2.1 “N” ups IN funzionamento normale

Carico alimentato da inverter e possibilità di un guasto con continuità.

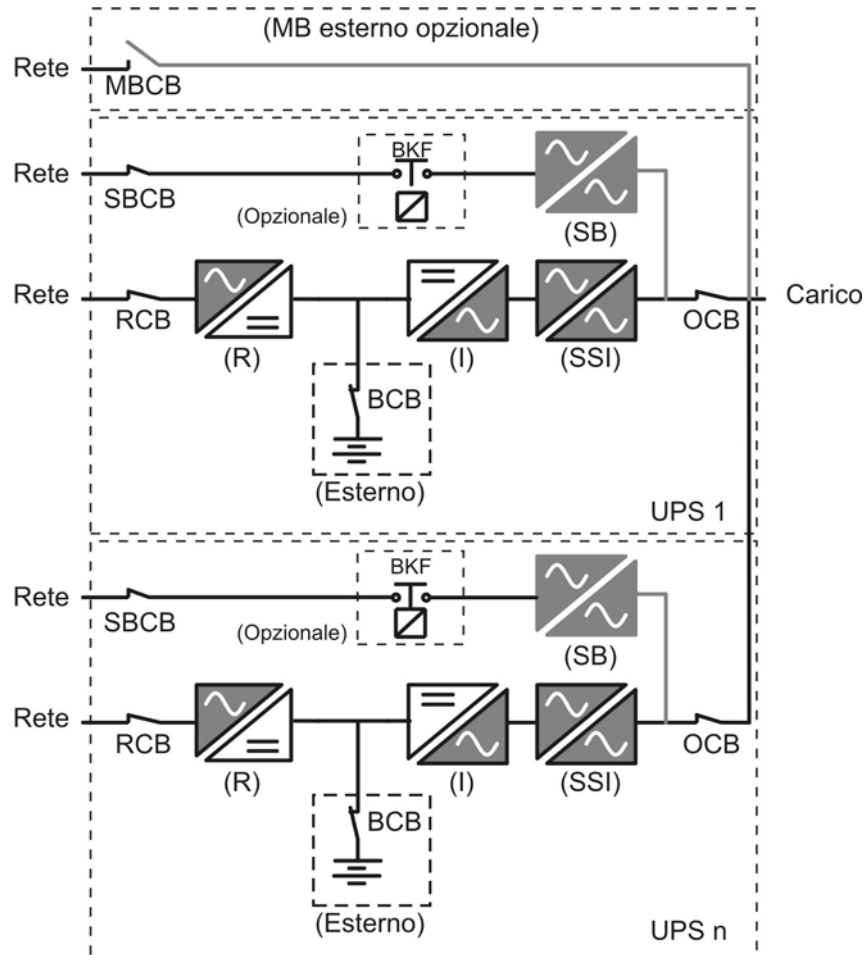


Figura 2 – “N” UPS in funzionamento normale



### 3.2.2 “N-1” ups funzionamento normale

Carico su inverter e, in caso di un guasto, trasferimento su bypass (se disponibile).

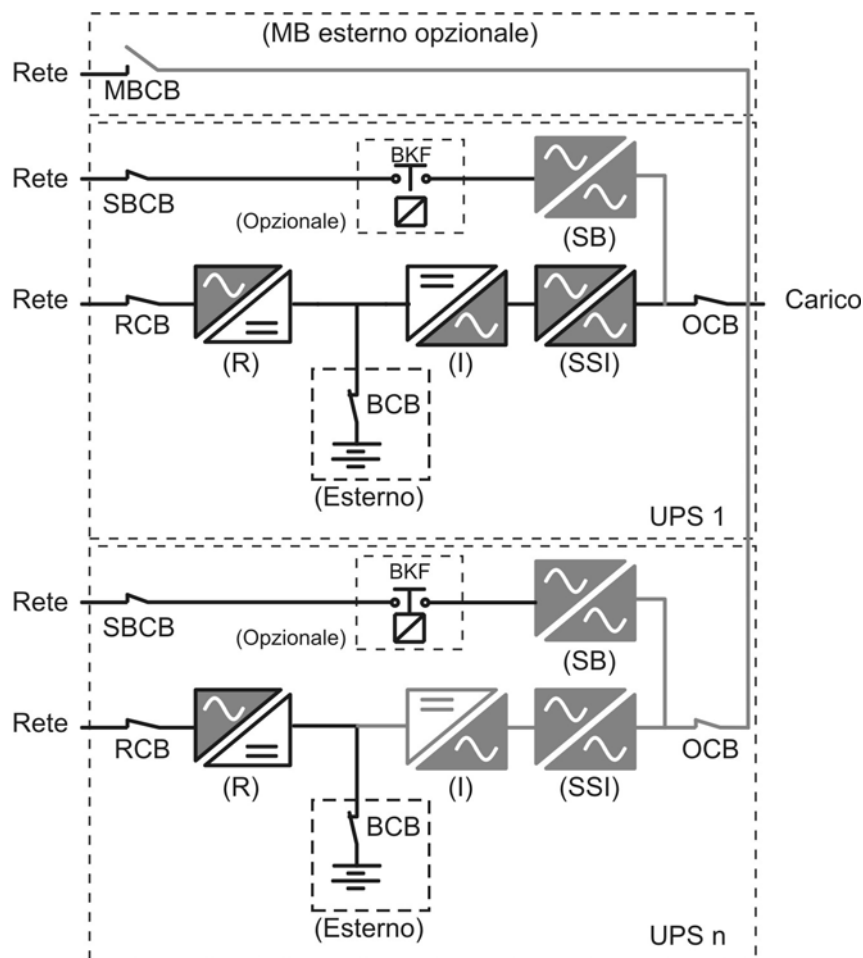


Figura 3 – “N-1” UPS in funzionamento normale

### 3.2.3 Mancanza rete

Carico su inverter alimentato da batteria.

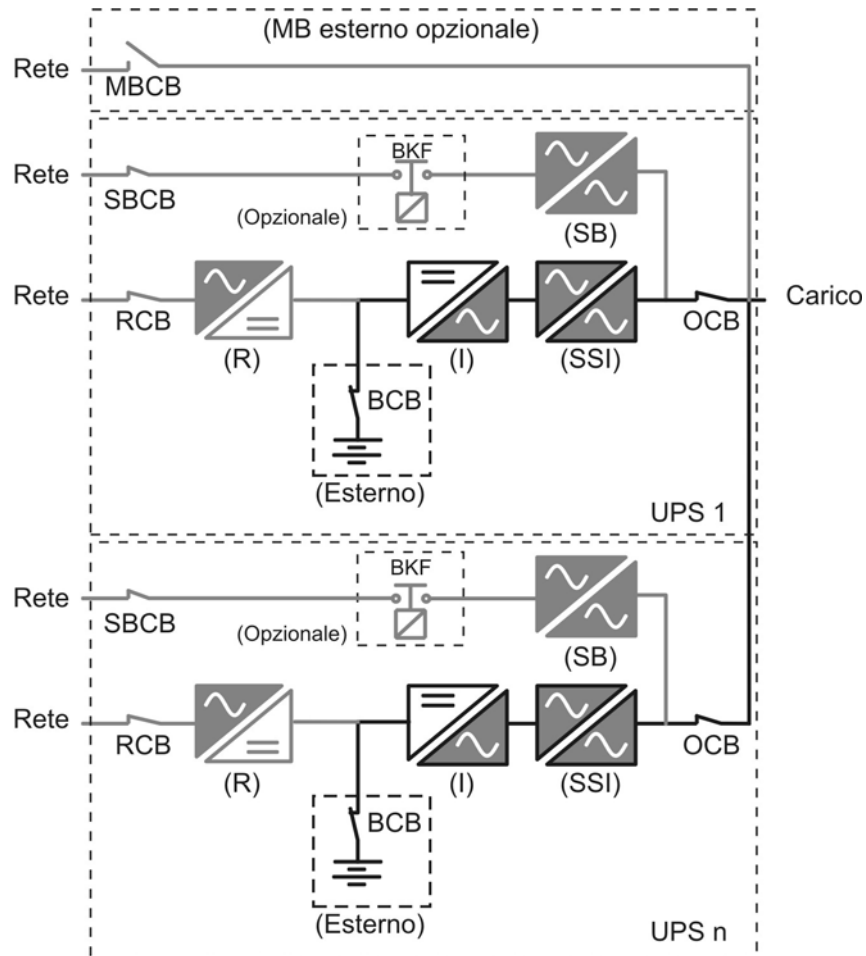


Figura 4 – Mancanza rete

### 3.2.4 “N” bypass disponibili

Carico su bypass in caso di almeno due inverter guasti o sovraccarico.

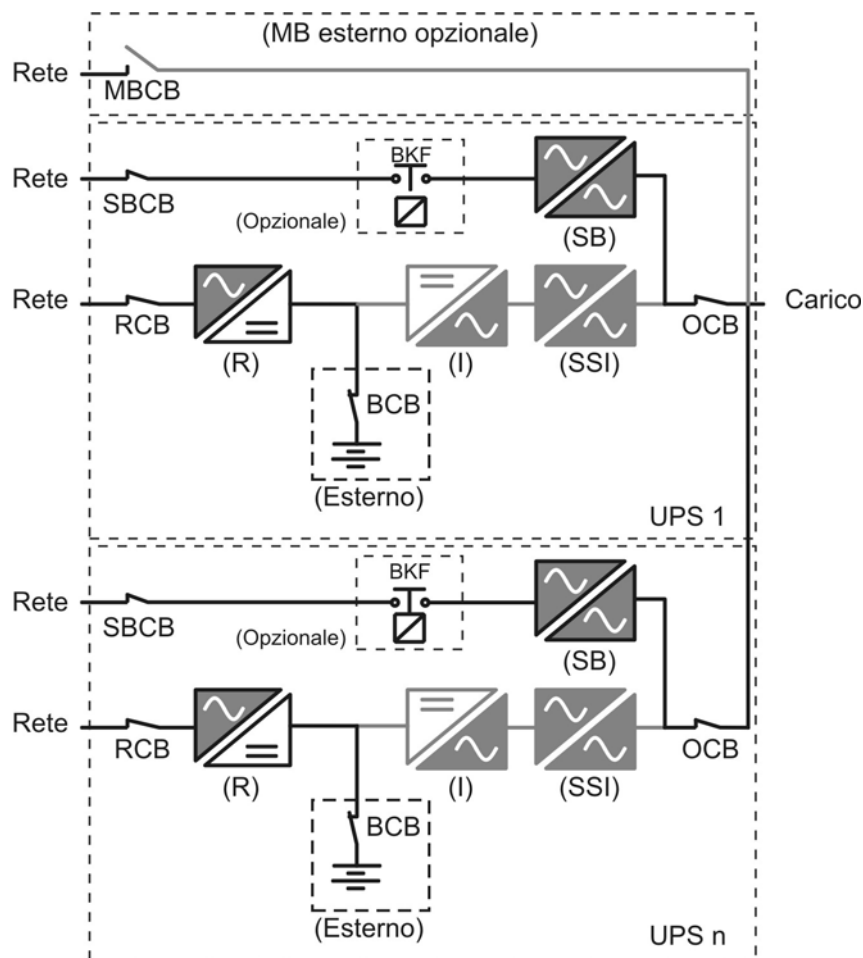


Figura 5 – “N” bypass disponibili

### 3.2.5 “N-1” bypass disponibili

Carico su bypass in caso di almeno due inverter guasti o sovraccarico.

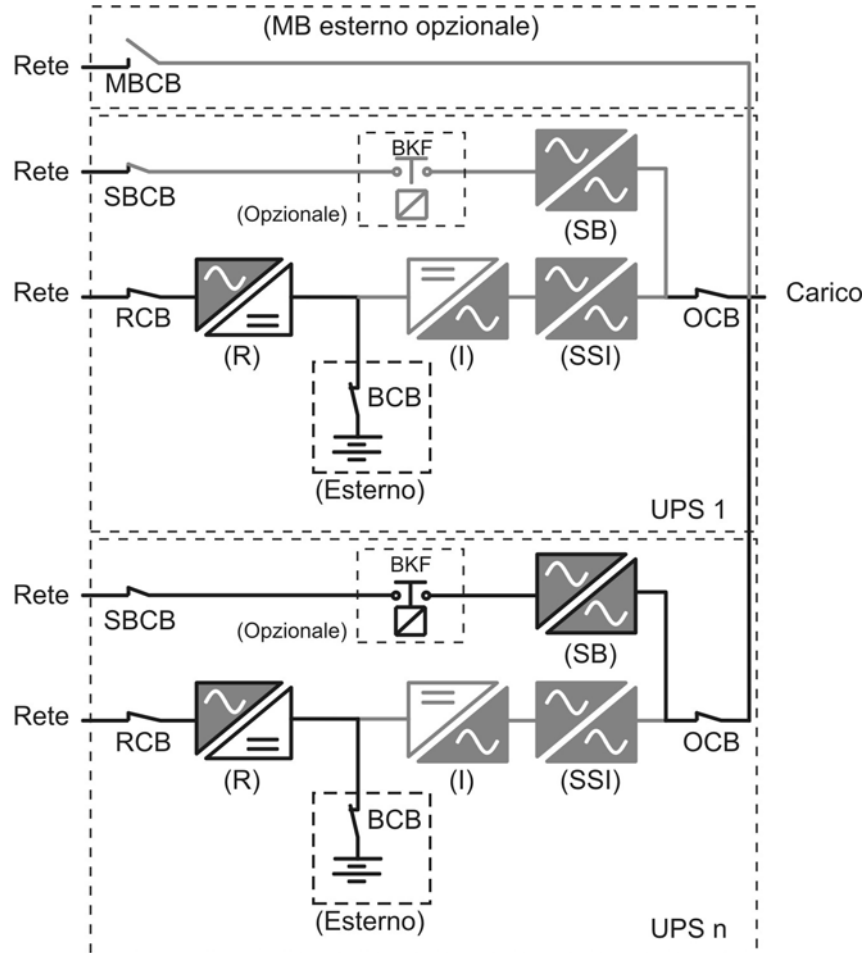


Figura 6 – “N-1” bypass disponibili

### 3.2.6 Bypass manuale

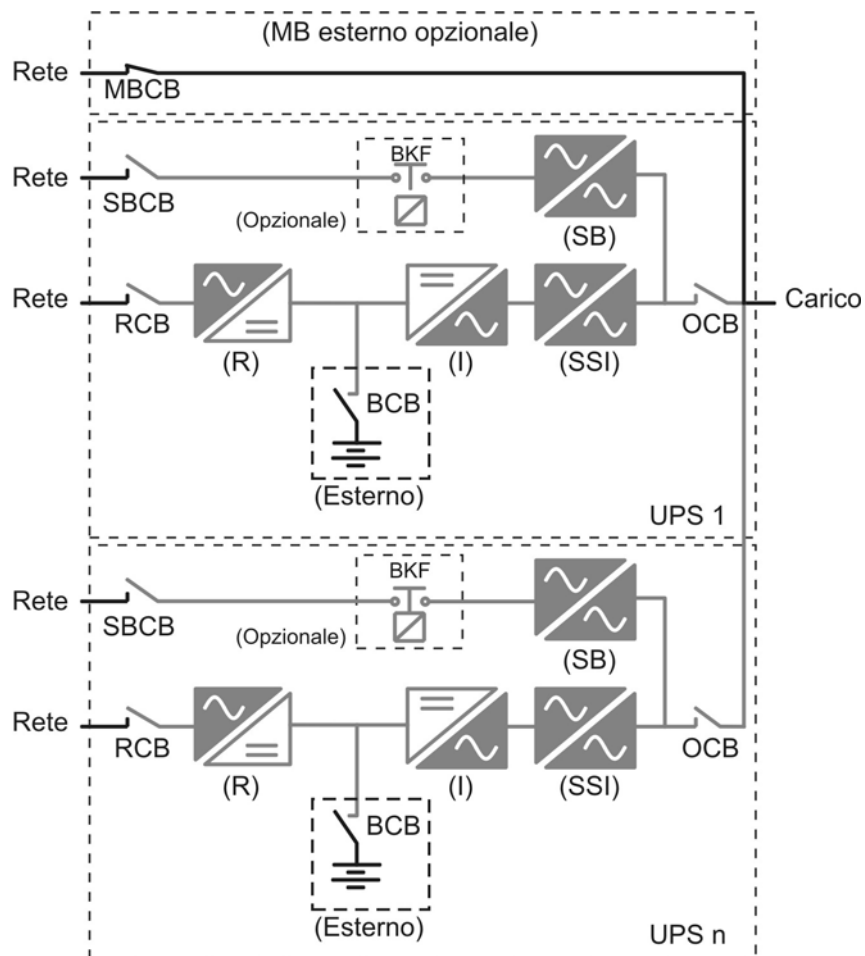


Figura 7 – Bypass Manuale

## 4. INSTALLAZIONE PARALLELO RIDONDANTE

Prima di installare il sistema parallelo ridondante seguire attentamente il capitolo “INSTALLAZIONE” nel “MANUALE OPERATIVO UPS” per le singole unità, per essere a conoscenza di tutte le informazioni riguardo:

- ricezione dell'UPS
- dimensioni e pesi
- distanze dalle pareti
- sezione cavi, fusibili e morsettiere

### 4.1 HARDWARE AGGIUNTIVO

Per trasformare “N” unità standard “Single” in un sistema parallelo ridondante occorre procurarsi N kit di Parallelo per le tutte le “N” unità che compongono il sistema.

Ciascun Kit di Parallelo contiene:

- N. 1 Scheda di interfaccia di Parallelo PB214 Rev. B o superiori SLOT-PAR (Figura 8)
- N. 1 Cavo di connessione CAN (DB9-DB9) (Figura 8)
- N. 1 Manuale Kit Parallelo



Figura 8 – Contenuto della confezione

### 4.2 FUNZIONI

Il Kit di parallelo permette di poter predisporre un UPS configurato come unità singola, per la sua connessione e configurazione in un sistema parallelo. Fare riferimento al seguente manuale per la corretta installazione e configurazione del sistema.

### 4.3 POSIZIONAMENTO

Si consiglia di posizionare i due UPS ad una distanza tra loro di almeno 10cm per facilitare il passaggio cavi di potenza e segnale.

#### 4.4 INSTALLAZIONE

Nel seguente manuale sono fornite le informazioni per poter installare la scheda su un singolo UPS.

Per poter avere un sistema di parallelo è necessario installare e configurare la scheda d'interfaccia su più di un UPS, ripetere quindi i passi descritti per ciascun UPS del sistema di parallelo.

Per procedere alla installazione della scheda è necessario procedere a spengere completamente l'UPS eventualmente trasferendo il carico sul Manual Bypass, fare riferimento al Manuale Operativo per la corretta procedura.

#### ATTENZIONE

Durante le operazioni in Bypass Manuale il carico è alimentato direttamente dall'ingresso, perciò non può essere garantita la continuità dei carichi.

Dopo aver trasferito il carico sul Bypass Manuale e spento l'UPS, verificare che il flat W30C sia fissato dietro la piastra di sostegno delle slot. Connettere il cavo flat W30C al connettore CN1 della scheda SLOT-PAR e fissarla nell'apposita sede con le due viti (vedi figura 10).

Per una corretta comunicazione tra gli UPS, sulla linea CAN devono essere presenti due resistenze di terminazione una all'inizio e una alla fine della linea. I Jumper sulla scheda se chiusi inseriscono la resistenza di terminazione, 120 Ohm, della linea CAN-BUS.

Configurazione dei JUMPER delle schede SLOT-PAR in funzione del numero di UPS che compongono il sistema di Parallelo:

<b>N UPS System</b>	<b>UPS1</b>	<b>UPS2</b>	<b>UPS3</b>	<b>UPS4</b>	<b>UPS5</b>	<b>UPS6</b>
<b>2</b>	JP1 Closed JP2 Closed	JP1 Closed JP2 Closed				
<b>3</b>	JP1 Closed JP2 Closed	JP1 Open JP2 Open	JP1 Closed JP2 Closed			
<b>4</b>	JP1 Closed JP2 Closed	JP1 Open JP2 Open	JP1 Open JP2 Open	JP1 Closed JP2 Closed		
<b>5</b>	JP1 Closed JP2 Closed	JP1 Open JP2 Open	JP1 Open JP2 Open	JP1 Open JP2 Open	JP1 Closed JP2 Closed	
<b>6</b>	JP1 Closed JP2 Closed	JP1 Open JP2 Open	JP1 Open JP2 Open	JP1 Open JP2 Open	JP1 Open JP2 Open	JP1 Closed JP2 Closed

Figura 9 – Configurazione Jumper scheda SLOT-PAR



Figura 10 – Installazione scheda e connessione cavo flat

Infine provvedere a collegare il cavo di connessione CAN tra gli UPS, collegare i cavi da un UPS all'altro e viceversa formando un anello di connessione. I connettori CAN-IN e CAN-OUT sono del tutto equivalenti.

Per esempio: nel caso di 4 UPS, si deve collegare con un cavo dall'UPS1 all'UPS2, con un cavo dall'UPS2 all'UPS3, con un cavo dall' UPS3 all'UPS4 e infine con un cavo dall'UPS4 ritornare all'UPS1, in modo da formare un anello di connessione.



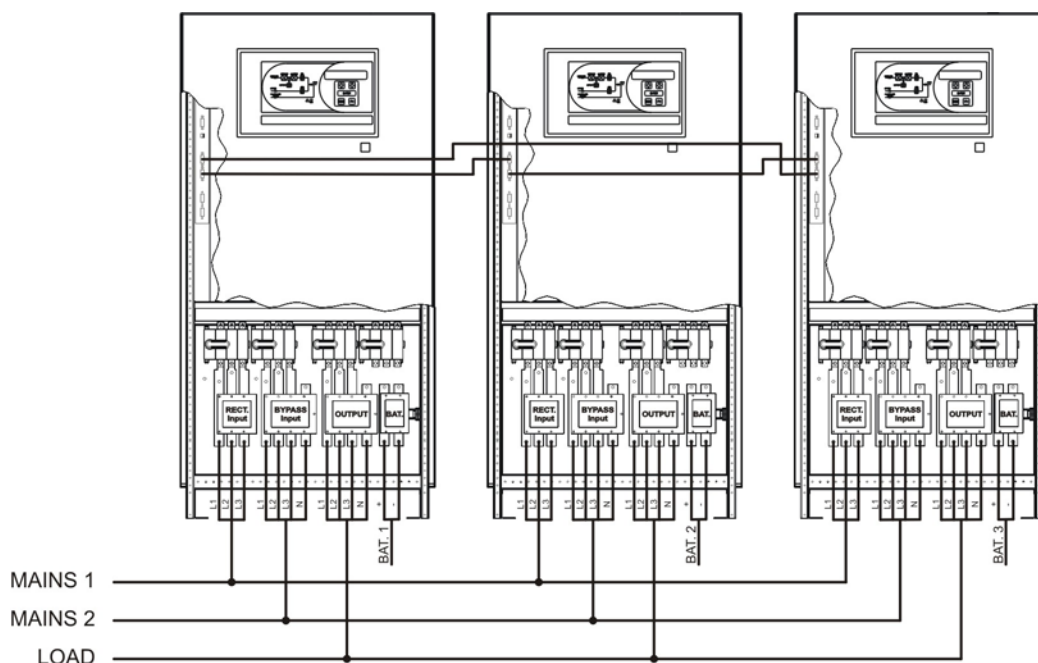


Figura 11 – Connessione CAN-BUS. Esempio con tre unità 160kVA

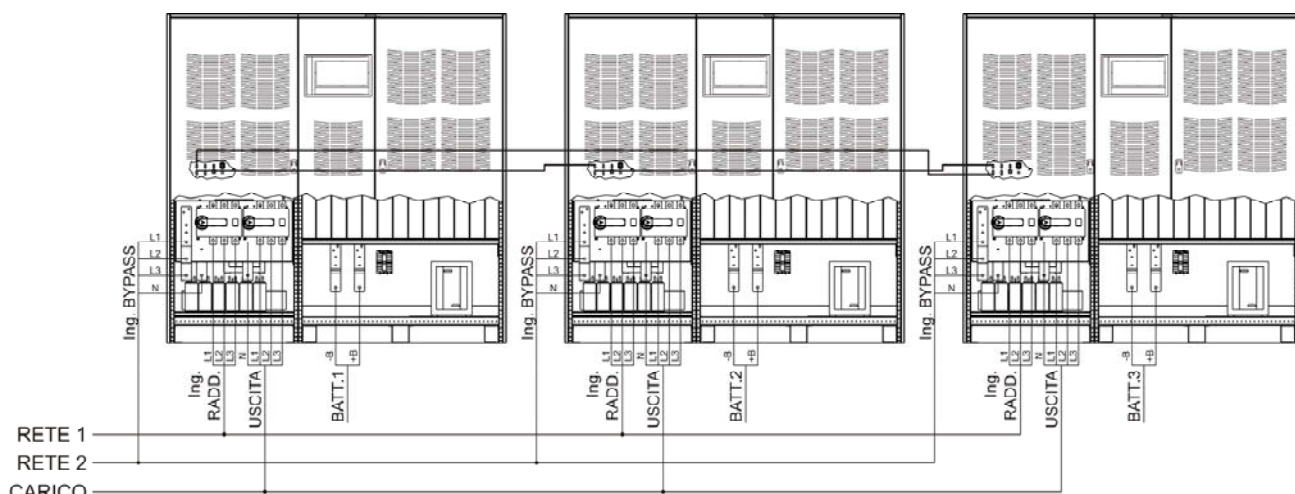


Figura 12 – Collegamento di 3 unità UPS 500kVA

**NOTA BENE**

Si consiglia di collegare le uscite degli UPS al carico con cavi di uguale sezione ed uguale lunghezza.

## 4.5 CONFIGURAZIONE DEGLI UPS

Una volta effettuata l'installazione e configurazione hardware dei componenti si deve provvedere a configurare opportunamente ciascun UPS del sistema di parallelo. Per la configurazione del sistema di Parallelo è necessario andare a modificare la EEPROM di ciascun UPS tramite il programma EEPROM Manager.

### 4.5.1 Configurazione degli UPS per sistemi parallelo ridondante

- Connettere il PC con il Software di configurazione all'UPS tramite la porta RS232 o USB.
- Per poter alimentare la scheda mP sarà necessario ruotare il selettore di service nella posizione service.
- Avviare il Programma
- Selezionare la Porta Seriale. In caso di errata selezione verrà mostrato un messaggio di errore.
- Provvedere a configurare i parametri del parallelo:
  - Flag- Parallelo:** Enable (abilitazione del parallelo)
  - Type parallel:** Da questa finestra è possibile abilitare la configurazione di parallelo desiderata :
    - parallelo ridondante, N-1/N
    - parallelo di potenza.
    - parallelo auto (automaticamente il microprocessore passerà da parallelo ridondante a parallelo di potenza in funzione del carico.
  - UPS Parallel Index:** 1,2,...,6. Posizione del UPS nel sistema di Parallelo. Ciascun UPS deve avere un numero di posizione diverso partendo dalla Posizione 1, UPS1.
  - UPS Parallel Number:** 2,...,6. Numero di UPS componenti il sistema di parallelo ridondante. Questo parametro deve essere settato per tutti gli UPS allo stesso valore.
  - Enalloor:** Disabilitato o abilitato (abilitazione della perdita di ridondanza).
  - DLY\_BOSU:** generalmente questo parametro è impostato dove presente generatori Diesel; suggeriamo di impostare i valori come indicato:
    - 1 secondo UPS 1
    - 30 secondi UPS 2
    - 60 secondi UPS 3
    - **Ecc ecc**
  - RIT\_CRID:** tempo per cui il sistema cambia automaticamente da parallelo ridondante a parallelo di potenza e vice versa in funzione del carico e degli Inverter disponibili.

**Parallel redundant & power system UPS 60...800kVA FXS – Operating manual**  
**Sistema parallelo ridondante e di potenza UPS 60...800kVA FXS – Manuale operativo**

Nome	Descrizione	Valore EEPROM	Nuovo valore
NOM_PF	Nominal Power Factor [%]	80	80
DEV_SN	Device Serial Number	ET5N44004	ET5N44004
OEM_SN	OEM Serial Number	0000000000	0000000000
<b>ECO MODE</b>			
ECO_MODE	Eco Mode	DISABLED	DISABLED
ECO_TIME	Bypass OK minimum lasting time [s]	10	10
<b>PARALLELE</b>			
FLAG_PAR	Parallel Function	ENABLED	ENABLED
TYPE_PAR	Parallel Type	RED+1	RED+1
PAR_IND	Parallel Index	1	AUTO POW
PAR_NUMB	Number of Units in Parallel	2	RED-1
ENALLOR	Redundancy Lost Alarm	ENABLED	RED+2
RIT_CRID	Delay redundancy variation [min]	1	RED+3
<b>CONFIGURATION</b>			
LANG_DIS	Display Language	ENG	ENG
BUZZ_ON	Buzzer	ENABLED	ENABLED
FLAG_EPO	Emergency Power Off EPO	ENABLED	ENABLED
<b>MAINS</b>			
MAI_F_TL	Mains Frequency Tolerance [%]	10	10
<b>BYPASS</b>			
TIPO_BYP	Bypass	LOCAL	LOCAL
BYP_V_NM	Bypass Nominal Voltage [V]	230	230
BYP_V_TL	Bypass Nominal Voltage Tolerance [%]	10	10
BYP_F_TL	Bypass Frequency Tolerance [%]	10	10
<b>RECTIFIER</b>			
R_V_FLOA	Battery Floating Voltage [V]	680	680
R_VDCNOM	VDC Nominal Voltage [V]	600	600
DLY_BOSU	Delay Time Rectifier Startup [s]	1	1
PD_WK_IN	Walkin Time Rectifier [s]	10	10
F_BOOST	Boost Function	DISABLED	DISABLED
R_DT_MIN	Min. Disch. Time to Sat. Boost from 1	1	1

Figura 13 – Configurazione parametri Eeprom per parallelo di ridondante

- Disconnettere il software di test
- Ruotare il selettore di service nella posizione Normal
- Procedere alla configurazione degli altri UPS.

## 5. AVVIO DEL SISTEMA DI PARALLELO RIDONDANTE E VERIFICHE

Dopo aver effettuato l'installazione dei componenti e configurato gli UPS in Parallelo, si può verificare il buon funzionamento del sistema. Per fare questo conviene avviare il sistema da MCB.

La procedura da seguire è la seguente:

- Chiudere il Bypass Manuale MCB su tutti gli UPS
- Posizionare tutti i selettori Bypass Switch su BYPASS
- Chiudere RCB su tutti gli UPS
- Seguire le istruzioni di avvio del pannello frontale procedendo per ciascun UPS fino al messaggio "AVVIO DA MCB" "APRIRE TUTTI MCB"
- Nella 2 righe sottostanti vengono date indicazioni circa la corretta configurazione del sistema di parallelo:
- UPS MASTER : PARALLEL [1M] 2S
- UPS SLAVE : PARALLEL 1M [2S]

Vengono indicati con un numero gli UPS componenti il sistema di Parallelo.

**M:** Indica l'UPS Master del sistema. (In funzionamento normale il Master è l'UPS di indice di posizione più bassa che eroga sul carico)

**S:** Indica che l'UPS è Slave

**[ ]:** Sta ad indicare l'indice di posizione dell'UPS nel sistema parallelo.

UPS1 avrà le parentesi al numero 1

UPS2 avrà le parentesi al numero 2

**?:** Indica che l'UPS non comunica con il resto degli UPS del sistema di parallelo

**-:** Indica che L'UPS non è presente fisicamente nel sistema di parallelo.

---

### ATTENZIONE

Se il messaggio sul display è "APRIRE MCB" invece di "APRIRE TUTTI MCB" significa che l'UPS è settato come UPS SINGOLO, si deve quindi provvedere a riconfigurare l'UPS come UPS in parallelo.

Non è possibile che ci siano due o più "M", ovvero due o più UPS siano MASTER contemporaneamente.

Non è possibile che due UPS abbiano le parentesi quadre "[ ]" sullo stesso numero. Errata configurazione della posizione dell'UPS nel sistema di parallelo.

Non vi devono essere presenti punti "?" sotto i numeri, UPS che non comunicano con le altre macchine.

---

- Una volta verificata la configurazione di ciascun UPS si può procedere con l'avvio da MCB "APRIRE TUTTI GLI MCB"
  - Procedere muovendo il Bypass Switch sugli UPS. Il sistema di parallelo alimenta il carico quando N-1 Bypass Switch sono posizionati in modalità Normale.
  - Muovere il Bypass Switch dell'UPS rimanente.
  - Gli UPS alimentano il carico in parallelo e si ha il messaggio "AVVIO TERMINATO".
-

## 6. PRESTAZIONI DI SISTEMA

Il sistema parallelo ha prestazioni statiche e dinamiche migliori di ogni singola unità poiché, grazie alla ridondanza, la potenza totale disponibile è maggiore del carico nominale del sistema.

### 6.1 SOVRACCARICO

Il limite di sovraccarico di un sistema ridondante dipende dal numero delle unità connesse al carico:

$$I_{max} = n * I_n$$

dove “n” = numero delle unità che erogano sul carico, “I<sub>n</sub>” = corrente nominale delle singole unità

Se il carico supera tale limite, si ha la indicazione sul pannello frontale dell'UPS, allarme sovraccarico con la relativa segnalazione sonora; tale allarme attiva l'algoritmo di immagine termica e dopo un certo periodo il carico viene trasferito sul bypass (se disponibile).

### 6.2 CORTO CIRCUITO

Se si verifica un corto circuito sull'uscita, il sistema trasferisce automaticamente il carico su bypass (se disponibile), altrimenti tutte le unità erogano una corrente pari al 150% I<sub>n</sub> per 5 cicli, (100 msec), dopodiché se la condizione di corto non è stata rimossa erogano una corrente pari al 125% I<sub>n</sub> per 5 secondi.

## 7. AVVIAMENTO PER SISTEMA PARALLELO RIDONDANTE

### 7.1 CASO DI 2 UPS – AVVIO DIRETTO

Quando il sistema è composto da due UPS, è possibile avviare il sistema in modo diretto. Si può procedere all'accensione di un UPS, chiudendo l'interruttore RCB e seguendo la procedura guidata dal display. A seguito si può avviare normalmente l'altro UPS, chiudendo RCB e seguendo la procedura suggerita dal display.

### 7.2 CASO DI 2 UPS – AVVIO DA BYPASS MANUALE

Nel caso di due UPS, è anche possibile avviare il sistema di parallelo partendo dal Bypass manuale.

Se gli UPS sono già in Manual Bypass verificare i primi due punti.

La procedura da seguire è la seguente:

Gli UPS sono disalimentati con tutti gli interruttori aperti.

- Chiudere Bypass Manuale MCB di entrambi gli UPS
- Muovere entrambi i Bypass Switch in posizione BYPASS
- Chiudere RCB su entrambi gli UPS

---

#### ATTENZIONE

Quando viene richiesto “APRIRE TUTTI MCB” si devono aprire gli MCB di tutti gli UPS e/o MCB su cabinet esterni.

---

- Seguire le istruzioni di avvio del pannello frontale procedendo per ciascun UPS fino al messaggio “MUOVI BYPASS SWITCH”
- Procedere muovendo il Bypass Switch, l'UPS alimenta il carico.
- Muovere il Bypass Switch, gli UPS alimentano il carico in parallelo e si ha il messaggio “AVVIO TERMINATO”

### 7.3 CASO DI N UPS – AVVIO DA BYPASS MANUALE

Quando gli UPS sono più di due è possibile avviare il sistema di parallelo soltanto partendo dal Bypass Manuale. Questo serve ad inserire tutti gli UPS sulla sbarra di carico contemporaneamente.

Se gli UPS sono già in Manual Bypass verificare i primi due punti.

La procedura da seguire è la seguente:

Gli UPS sono disalimentati con tutti gli interruttori aperti.

- Chiudere il Bypass Manuale MCB su tutti gli UPS
- Posizionare tutti i selettori Bypass Switch su BYPASS
- Chiudere RCB su tutti gli UPS

---

#### ATTENZIONE

Quando viene richiesto “APRIRE TUTTI MCB” si devono aprire gli MCB di tutti gli UPS e/o MCB su cabinet esterni.

---

- Seguire le istruzioni di avvio del pannello frontale procedendo per ciascun UPS fino al messaggio “MUOVI BYPASS SWITCH”
- Procedere muovendo il Bypass Switch sugli UPS. Il sistema di parallelo alimenta il carico quando N-1 Bypass Switch sono posizionati in modalità Normale.
- Muovere il Bypass Switch dell’UPS rimanente.
- Gli UPS alimentano il carico in parallelo e si ha il messaggio “AVVIO TERMINATO”.

Il Bypass Switch in un sistema di parallelo ridondante, in assetto di normale funzionamento, assume la funzione di rimuovere l’UPS dalla barra dell’alimentazione del carico.

Il carico viene trasferito sulla Linea di Emergenza (Bypass) se si hanno almeno due Bypass Switch posizionati su Bypass.

#### **7.4 PROCEDURA DI TRASFERIMENTO SU BYPASS MANUALE**

Posizionare tutti i Bypass Switch in posizione “Bypass”, facendo commutare il sistema su Bypass, Led 6 arancio acceso sul pannello frontale per tutti gli UPS del sistema.

Chiudere uno o più MCB (tutti gli inverter si fermano con relativo allarme).

Partendo da ciascun UPS componente il sistema di parallelo aprire gli interruttori OCB, SBCB, BCB e RCB, in questo ordine.

#### **7.5 PROCEDURA DI RITORNO DA BYPASS MANUALE**

Il sistema si trova nella condizione di Manual Bypass con uno o più interruttori MCB chiusi e TUTTI i Bypass Switch in posizione BYPASS.

Per riavviare il sistema con continuità dei carichi si deve seguire la procedura seguente:

##### **7.5.1 Caso di 2 o N UPS – Riavvio da BYPASS manuale**

- Chiudere RCB su tutti gli UPS
- Seguire le istruzioni di avvio del pannello frontale procedendo per ciascun UPS fino al messaggio “MUOVI BYPASS SWITCH”
- Procedere muovendo il Bypass Switch sugli UPS. Il sistema di parallelo alimenta il carico quando N-1 Bypass Switch sono posizionati in modalità Normale.
- Muovere il Bypass Switch dell’UPS rimanente, gli UPS alimentano il carico in parallelo e si ha il messaggio “AVVIO TERMINATO”.

---

#### **ATTENZIONE**

Quando viene richiesto “APRIRE TUTTI MCB” si devono aprire gli MCB di tutti gli UPS e/o MCB su cabinet esterni.

---

---

**NOTA BENE**

Nella linea B9600 il MANUAL BYPASS è opzionale, generalmente è unico e montato su un cabinet esternamente al sistema di parallelo.

---

---

**NOTA BENE**

Nei sistemi con più di 2 UPS il ritorno sotto continuità (inverter) è comandato dalla logica N-1 Inverter su N.

Quindi se si hanno 3 UPS si ritorna sotto inverter una volta che si muove il Bypass Switch in posizione NORMAL della seconda unità, avvio completo di due UPS.

---



## **8. PARALLELO DI POTENZA**

### **8.1 DESCRIZIONE SISTEMA PARALLELO DI POTENZA**

Il sistema parallelo di potenza è formato da “N” UPS (fino a un massimo di 6 unità), configurati come unità in parallelo di potenza. Solo il Bypass Manuale può essere esterno ed unico per tutte le unità.

Il controllo automatico di ripartizione della corrente AC, equalizza le correnti delle “n” unità e riduce lo sbilanciamento al meno del 10%, in tutte le condizioni di carico.

Il carico è alimentato dagli inverter in parallelo anche nel caso in cui si verifichi un sovraccarico istantaneo  $\leq$  “n x 200%” del carico nominale di ogni singola unità.

Nel caso si verifichi un guasto in una delle unità il carico viene trasferito sulla Rete di Emergenza (Bypass), come avviene nel caso di un UPS in configurazione singola.

### **8.2 DESCRIZIONE SISTEMA PARALLELO DI POTENZA**

Durante lo stato di “n UPS in funzionamento normale” se avviene un guasto per cui un UPS non può più erogare sul carico da Inverter, il sistema parallelo di potenza trasferisce il carico su linea di emergenza emettendo l’allarme “Linea di Emergenza, alimenta il carico”; ogni anomalia aggiuntiva, potrà o meno, a seconda del tipo di anomalia, interrompere l’alimentazione al carico.

Le anomalie vengono segnalate da ciascun UPS con allarmi sonori e sul pannello frontale dell’UPS stesso.

Nel caso che in un sistema nello stato “n UPS in funzionamento normale” si abbia la condizione di guasto raddrizzatore o mancanza rete, l’UPS continuerà ad erogare sul carico scaricando la batteria, escludendosi dal sistema in automatico alla fine della autonomia e trasferendo il sistema nella condizione “Linea di Emergenza alimenta il carico”

Se il sistema viene trasferito in Bypass Manuale (MB) il carico viene alimentato direttamente dalla rete d’ingresso, quindi non è garantita la continuità.

### 8.2.1 “N” ups IN funzionamento normale

Carico alimentato da inverter.

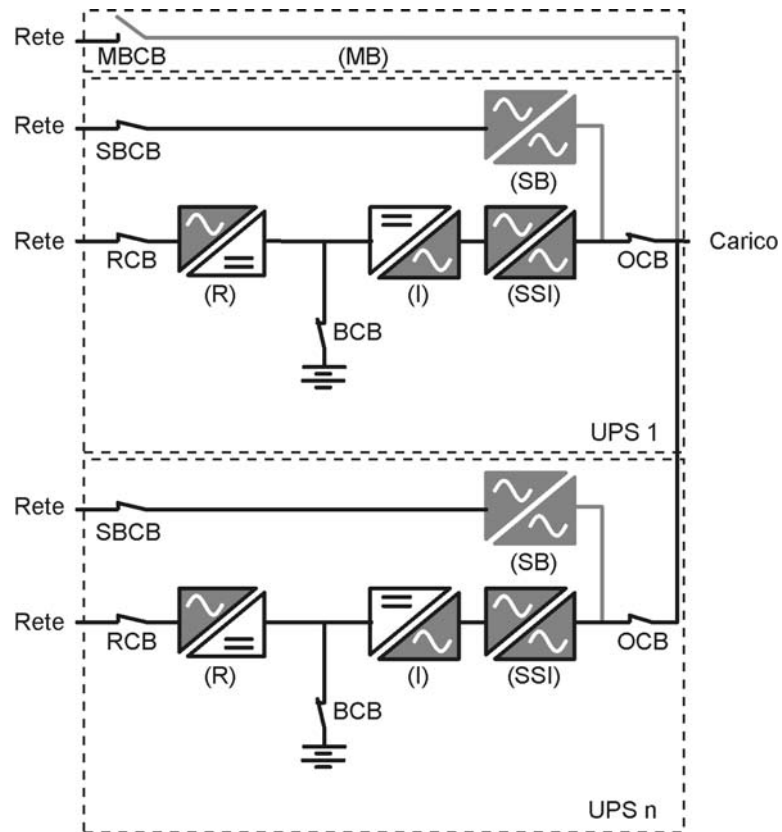


Figura 14 – “N” UPS in funzionamento normale

## 8.2.2 Mancanza rete

Carico su inverter alimentato da batteria

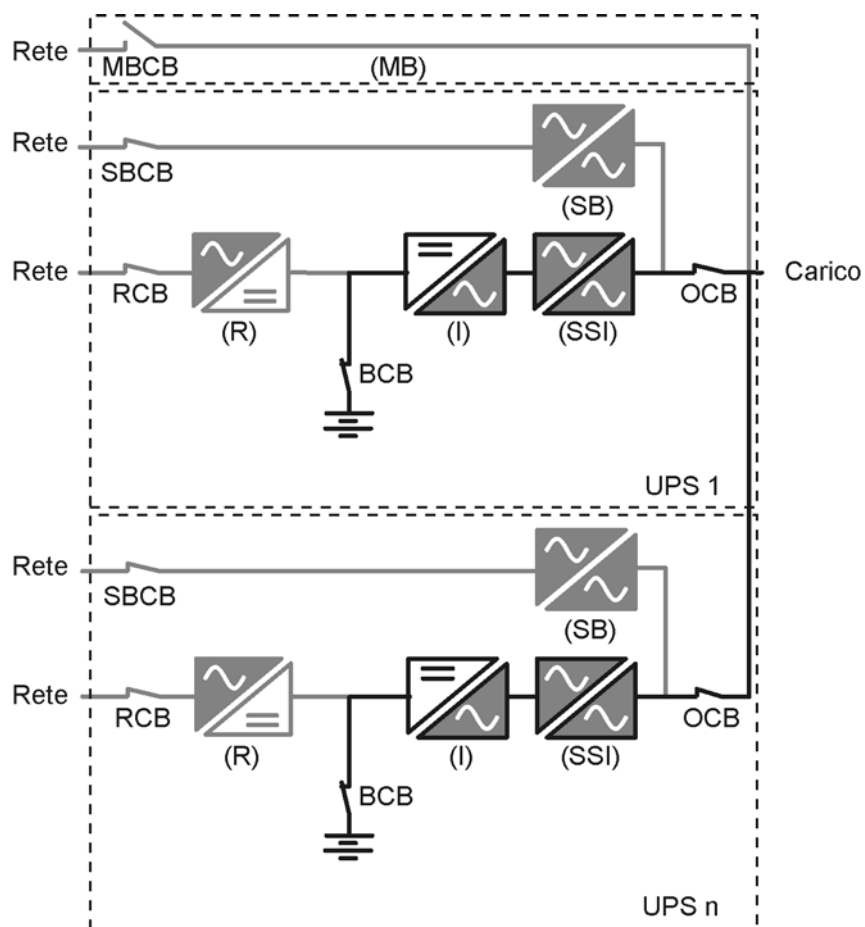


Figura 15 – Mancanza rete

### 8.2.3 “N” bypass disponibili

Nel parallelo di potenza le linee di emergenza del sistema è disponibile se tutte le linee di emergenza degli n UPS sono disponibili.

In caso di uno degli n inverter sia guasto o di sovraccarico prolungato, il carico verrà trasferito sulla linea di emergenza.

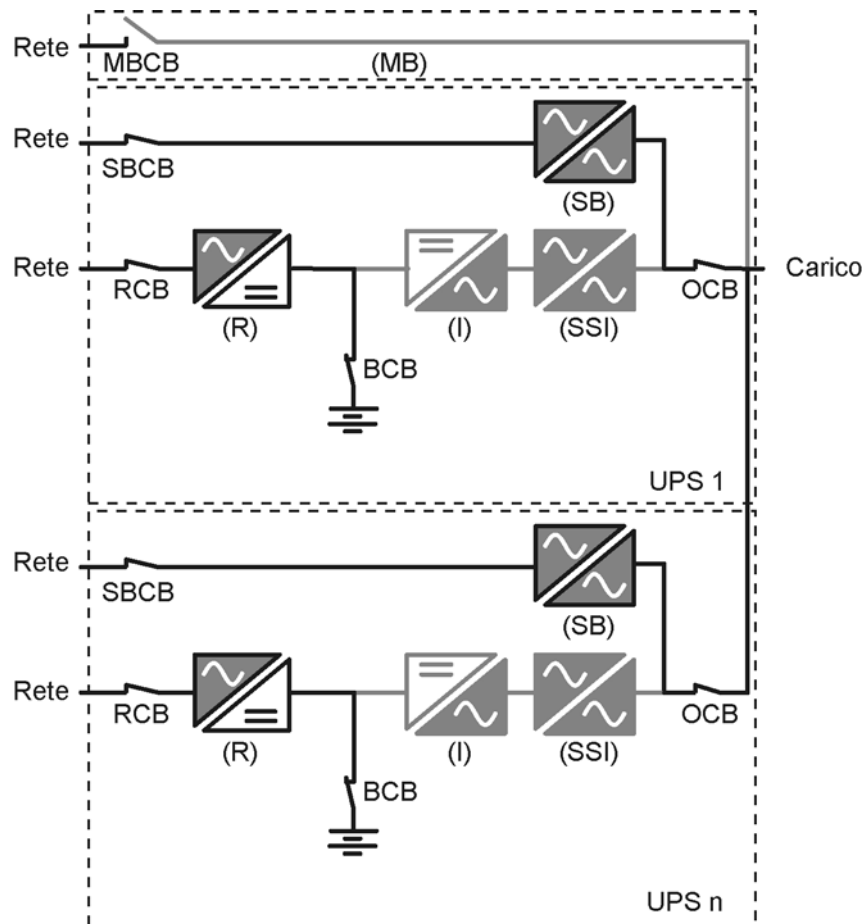


Figura 16 – “N” bypass disponibili carico su linea di emergenza

## 8.2.4 Bypass manuale

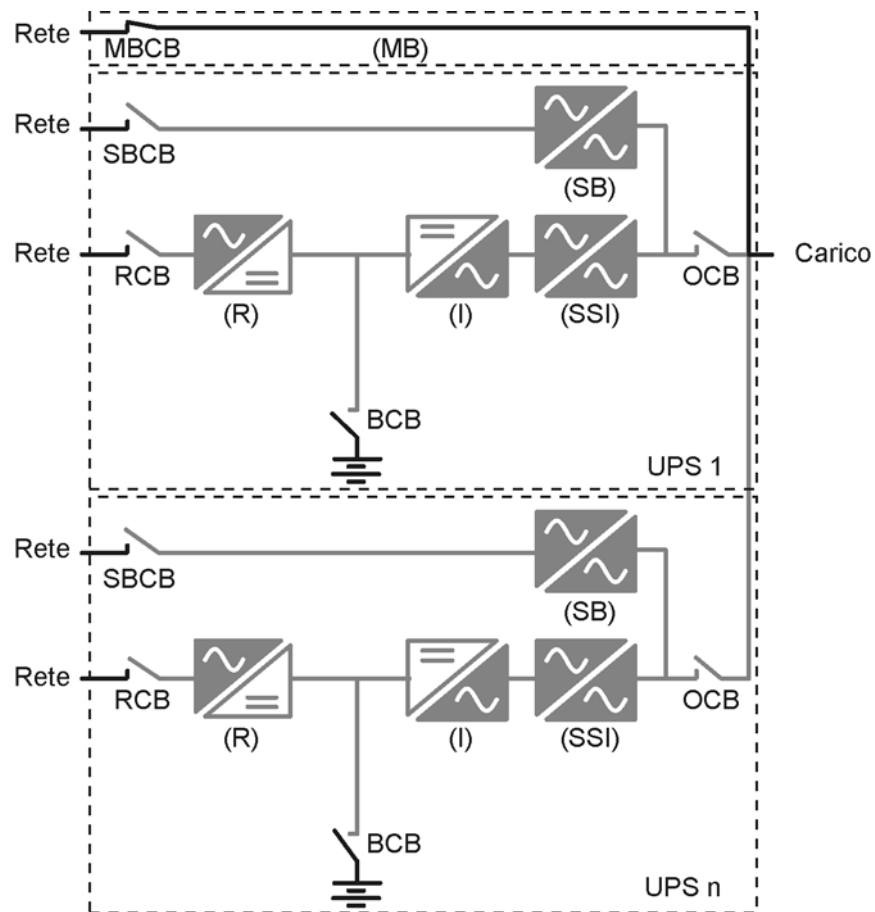


Figura 17 – Bypass Manuale

## 9. INSTALLAZIONE PARALLELO DI POTENZA

Prima di installare il sistema parallelo ridondante seguire attentamente il capitolo “INSTALLAZIONE” nel “MANUALE OPERATIVO UPS” per le singole unità, per essere a conoscenza di tutte le informazioni riguardo:

- ricezione dell'UPS
- dimensioni e pesi
- distanze dalle pareti
- sezione cavi, fusibili e morsettiere

### 9.1 HARDWARE AGGIUNTIVO

Per trasformare “N” unità standard “Singole” in un sistema parallelo occorre procurarsi N kit di Parallelo per le tutte le “N” unità che compongono il sistema.

Ciascun Kit di Parallelo contiene:

- N. 1 Scheda di interfaccia di Parallelo PB214 Rev. B o superiori SLOT-PAR (Figura18)
- N. 1 Cavo di connessione CAN (DB9-DB9)
- N. 1 Manuale Kit Parallelo



Figura 18 – Contenuto della confezione

### 9.2 FUNZIONI

Il Kit di parallelo permette di poter predisporre un UPS configurato come unità singola, per la sua connessione e configurazione in un sistema parallelo. Fare riferimento al seguente manuale per la corretta installazione e configurazione del sistema.

### 9.3 POSIZIONAMENTO

Si consiglia di posizionare i due UPS ad una distanza tra loro di almeno 10cm per facilitare il passaggio cavi di potenza e segnale.

## 9.4 INSTALLAZIONE PARALLELO DI POTENZA

Nel seguente manuale sono fornite le informazioni per poter installare la scheda su un singolo UPS.

Per poter avere un sistema di parallelo è necessario installare e configurare la scheda d'interfaccia su più di un UPS, ripetere quindi i passi descritti per ciascun UPS del sistema di parallelo.

Per procedere alla installazione della scheda è necessario procedere a spengere completamente l'UPS eventualmente trasferendo il carico sul Manual Bypass, fare riferimento al manuale operativo per la corretta procedura.

### ATTENZIONE

Durante le operazioni in Bypass Manuale il carico è alimentato direttamente dall'ingresso, perciò non può essere garantita la continuità dei carichi.

Dopo aver trasferito il carico sul Bypass Manuale e spento l'UPS, verificare che il flat W30C sia fissato dietro la piastra di sostegno delle slot. Connettere il cavo flat W30C al connettore CN1 della scheda SLOT-PAR e fissarla nell'apposita sede con le due viti (vedi figura 20).

Per una corretta comunicazione tra gli UPS, sulla linea CAN devono essere presenti due resistenze di terminazione una all'inizio e una alla fine della linea. I Jumper sulla scheda se chiusi inseriscono la resistenza di terminazione, 120 Ohm, della linea CAN-BUS.

Configurazione dei JUMPER delle schede SLOT-PAR in funzione del numero di UPS che compongono il sistema di Parallelo:

<b>N UPS System</b>	<b>UPS1</b>	<b>UPS2</b>	<b>UPS3</b>	<b>UPS4</b>	<b>UPS5</b>	<b>UPS6</b>
<b>2</b>	JP1 Closed JP2 Closed	JP1 Closed JP2 Closed				
<b>3</b>	JP1 Closed JP2 Closed	JP1 Open JP2 Open	JP1 Closed JP2 Closed			
<b>4</b>	JP1 Closed JP2 Closed	JP1 Open JP2 Open	JP1 Open JP2 Open	JP1 Closed JP2 Closed		
<b>5</b>	JP1 Closed JP2 Closed	JP1 Open JP2 Open	JP1 Open JP2 Open	JP1 Open JP2 Open	JP1 Closed JP2 Closed	
<b>6</b>	JP1 Closed JP2 Closed	JP1 Open JP2 Open	JP1 Open JP2 Open	JP1 Open JP2 Open	JP1 Open JP2 Open	JP1 Closed JP2 Closed

Figura 19 – Configurazione Jumper scheda SLOT-PAR



Figura 20 – Installazione scheda e connessione cavo flat

Infine provvedere a collegare il cavo di connessione CAN tra gli UPS, collegare i cavi da un UPS all'altro e viceversa formando un anello di connessione. I connettori CAN-IN e CAN-OUT sono del tutto equivalenti.

Per esempio: nel caso di 4 UPS, si deve collegare con un cavo dall'UPS1 all'UPS2, con un cavo dall'UPS2 all'UPS3, con un cavo dall' UPS3 all'UPS4 e infine con un cavo dall'UPS4 ritornare all'UPS1, in modo da formare un anello di connessione.



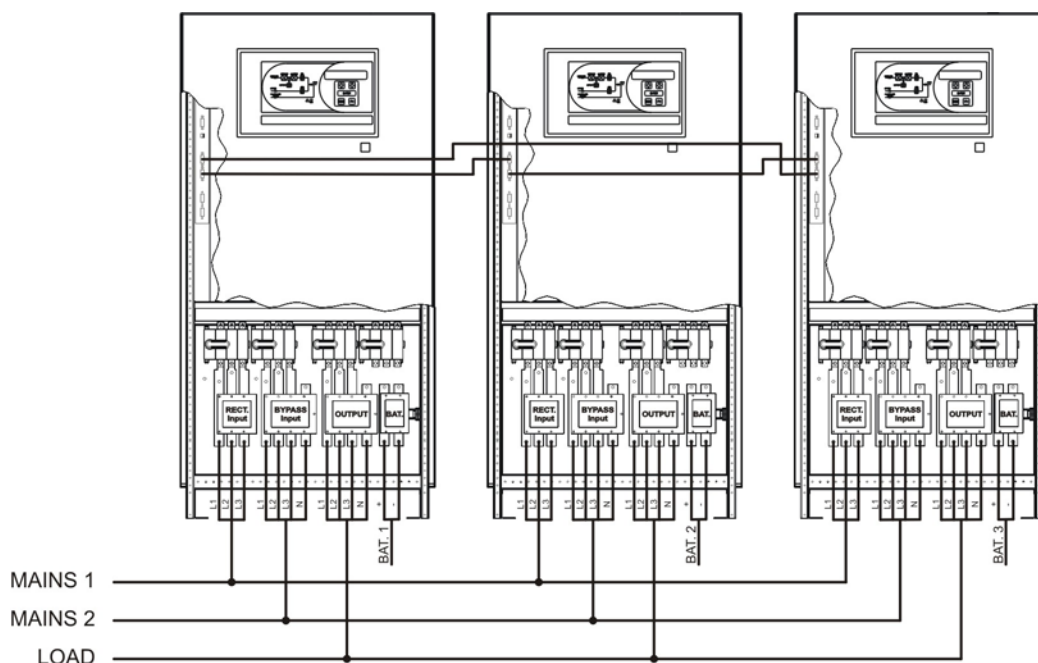


Figura 21 – Connessione CAN-BUS. Esempio con tre unità 160kVA

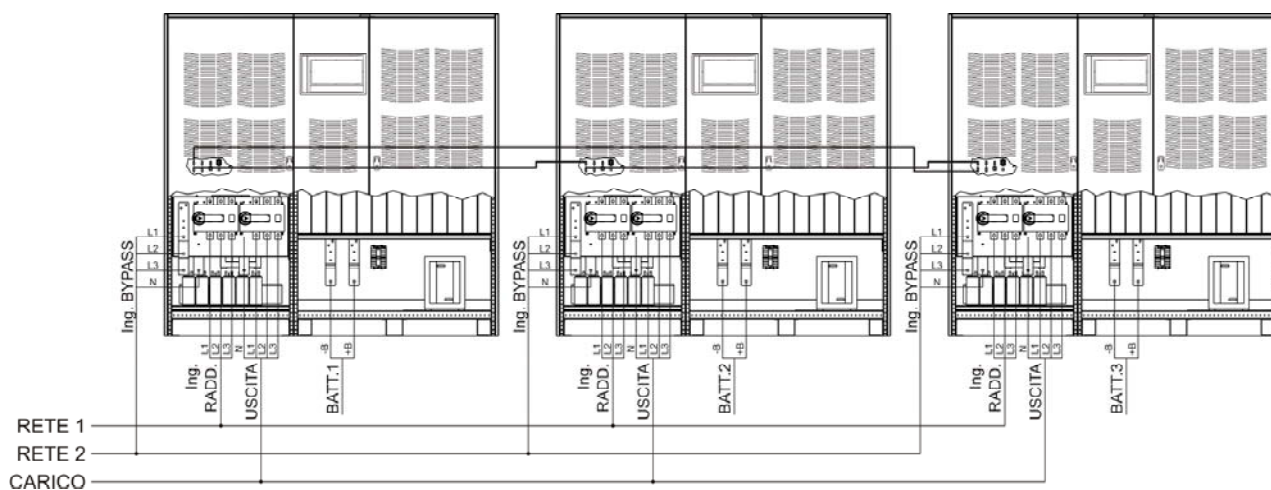


Figura 22 – Collegamento di 3 unità UPS 500kVA

**NOTA BENE**

Si consiglia di collegare le uscite degli UPS al carico con cavi di uguale sezione ed uguale lunghezza.

## 9.5 CONFIGURAZIONE DEGLI UPS

Una volta effettuata l'installazione e configurazione hardware dei componenti si deve provvedere a configurare opportunamente ciascun UPS del sistema di parallelo. Per la configurazione del sistema di Parallelo è necessario andare a modificare la EEPROM di ciascun UPS tramite il programma EEPROM Manager.

### 9.5.1 Configurazione degli UPS per sistemi parallelo di potenza.

- Connettere il PC con il Software di configurazione all'UPS tramite la porta RS232 o USB.
- Per poter alimentare la scheda mP sarà necessario ruotare il selettore di service nella posizione service.
- Avviare il Programma
- Selezionare la Porta Seriale. In caso di errata selezione verrà mostrato un messaggio di errore.
- Provvedere a configurare i parametri del parallelo:
  - Flag- Parallelo:** Enable (abilitazione del parallelo)
  - Type parallel:** Parallelo di potenza.
  - UPS Parallel Index:** 1,2,...,6. Posizione del UPS nel sistema di Parallelo. Ciascun UPS deve avere un numero di posizione diverso partendo dalla Posizione 1, UPS1.
  - UPS Parallel Number:** 2,...,6. Numero di UPS componenti il sistema di parallelo ridondante. Questo parametro deve essere settato per tutti gli UPS allo stesso valore.
  - Enalloor:** Disabilitato o abilitato (abilitazione della perdita di ridondanza).
  - DLY\_BOSU:** **DLY\_BOSU:** generalmente questo parametro è impostato dove presente generatori Diesel; suggeriamo di impostare i valori come indicato:
    - 1 secondo UPS 1
    - 30 secondi UPS 2
    - 60 secondi UPS 3
    - Ecc ecc
  - RIT\_CRID:** variabile attiva solo se abilitato parallelo auto..

**Parallel redundant & power system UPS 60...800kVA FXS – Operating manual**  
**Sistema parallelo ridondante e di potenza UPS 60...800kVA FXS – Manuale operativo**

Nome	Descrizione	Valore EEPROM	Nuovo valore
<b>ECO MODE</b>			
ECO_MODE	Eco Mode	DISABLED	DISABLED
ECO_TIME	Bypass OK minimum lasting time [s]	10	10
<b>PARALLEL</b>			
FLAG_PAR	Parallel Function	ENABLED	ENABLED
TYPE_PAR	Parallel Type	POW	POW
PAR_IND	Parallel Index	1	1
PAR_NUMB	Number of Units in Parallel	2	2
ENALLOR	Redundancy Lost Alarm	DISABLED	DISABLED
<b>CONFIGURATION</b>			
LANG_DIS	Display Language	ENG	ENG
BUZZ_ON	Buzzer	ENABLED	ENABLED
FLAG_EPO	Emergency Power Off EPO	ENABLED	ENABLED
<b>MAINS</b>			
MAI_F_TL	Mains Frequency Tolerance [%]	10	10
<b>BYPASS</b>			
TIPO_BYP	Bypass	LOCAL	LOCAL
BYP_V_NM	Bypass Nominal Voltage [V]	230	230
BYP_V_TL	Bypass Nominal Voltage Tolerance [%]	10	10
BYP_F_TL	Bypass Frequency Tolerance [%]	10	10
<b>RECTIFIER</b>			
R_V_FLOA	Battery Floating Voltage [V]	680	680
R_VDCNOM	VDC Nominal Voltage [V]	600	600
DLY_BOSU	Delay Time Rectifier Startup [s]	5	5
PD_WK_IN	Walkin Time Rectifier [s]	10	10
F_BOOST	Boost Function	DISABLED	DISABLED
B_DT_MIN	Min. Disch. Time to Active Boost [min]	1	1
B_EN_CUR	Floating=>Boost Current Threshold [A]	10	10
B_DI_CUR	Boost=>Floating Current Threshold [A]	5	5
B_TIMED	Boost Time Delay [min]	1	1
B_TIMEC	Boost Safety Timeout [min]	20	20

Figura 23 – Configurazione parametri Eeprom per parallelo di potenza

- Disconnettere il software di test
- Ruotare il selettore di service nella posizione Normal
- Procedere alla configurazione degli altri UPS.

## 10. AVVIO DEL SISTEMA DI PARALLELO DI POTENZA E VERIFICHE

Dopo aver effettuato l'installazione dei componenti e configurato gli UPS in Parallelo, si può verificare il buon funzionamento del sistema. Per fare questo conviene avviare il sistema da MCB.

La procedura da seguire è la seguente:

- Chiudere il Bypass Manuale MCB su tutti gli UPS
- Posizionare tutti i selettori Bypass Switch su BYPASS
- Chiudere RCB su tutti gli UPS
- Seguire le istruzioni di avvio del pannello frontale procedendo per ciascun UPS fino al messaggio "AVVIO DA MCB" "APRIRE TUTTI MCB"
- Nella 2 righe sottostanti vengono date indicazioni circa la corretta configurazione del sistema di parallelo:
- UPS MASTER : PARALLEL [1M] 2S
- UPS SLAVE : PARALLEL 1M [2S]

Vengono indicati con un numero gli UPS componenti il sistema di Parallelo.

**M:** Indica l'UPS Master del sistema. (In funzionamento normale il Master è l'UPS di indice di posizione più bassa che eroga sul carico)

**S:** Indica che l'UPS è Slave

**[ ]:** Sta ad indicare l'indice di posizione dell'UPS nel sistema parallelo.

UPS1 avrà le parentesi al numero 1

UPS2 avrà le parentesi al numero 2

**?:** Indica che l'UPS non comunica con il resto degli UPS del sistema di parallelo

**-:** Indica che L'UPS non è presente fisicamente nel sistema di parallelo.

---

### ATTENZIONE

Se il messaggio sul display è "APRIRE MCB" invece di "APRIRE TUTTI MCB" significa che l'UPS è settato come UPS SINGOLO, si deve quindi provvedere a riconfigurare l'UPS come UPS in parallelo.

Non è possibile che ci siano due o più "M", ovvero due o più UPS siano MASTER contemporaneamente.

Non è possibile che due UPS abbiano le parentesi quadre "[ ]" sullo stesso numero. Errata configurazione della posizione dell'UPS nel sistema di parallelo.

Non vi devono essere presenti punti "?" sotto i numeri, UPS che non comunicano con le altre macchine.

---

- Una volta verificata la configurazione di ciascun UPS si può procedere con l'avvio da MCB "APRIRE TUTTI GLI MCB"
- Procedere muovendo il Bypass Switch sugli UPS. Il sistema di parallelo alimenta il carico quando tutti i Bypass Switch saranno posizionati in modalità Normale.
- Gli UPS alimentano il carico in parallelo e si ha il messaggio "AVVIO TERMINATO".

## **11. PRESTAZIONI DI SISTEMA**

Il sistema parallelo di potenza ha prestazioni statiche e dinamiche migliori di ogni singola unità componente il sistema.

### **11.1 SOVRACCARICO**

Il limite di sovraccarico di un sistema parallelo di potenza dipende dal numero delle unità connesse al carico:

$$I_{max} = n * I_n$$

dove “n” = numero delle unità che erogano sul carico, “I<sub>n</sub>” = corrente nominale delle singole unità

Se il carico supera tale limite, si ha la indicazione sul pannello frontale dell'UPS, allarme sovraccarico con la relativa segnalazione sonora; tale allarme attiva l'algoritmo di immagine termica e dopo un certo periodo il carico viene trasferito sul bypass (se disponibile).

### **11.2 CORTO CIRCUITO**

Se si verifica un corto circuito sull'uscita, il sistema trasferisce automaticamente il carico su bypass (se disponibile), altrimenti tutte le unità erogano una corrente pari al 200% I<sub>n</sub> per 5 cicli, (100 msec), dopodiché se la condizione di corto non è stata rimossa erogano una corrente pari al 125% I<sub>n</sub> per 5 secondi.

## 12. AVVIAMENTO

### 12.1 CASO DI 2 O PIÙ UPS – AVVIO DIRETTO

Quando il sistema di parallelo di potenza è composto da due UPS, è possibile avviare il sistema in modo diretto SE E SOLO SE il carico non supera la potenza di una singola macchina. Si può procedere all'accensione di un UPS, chiudendo l'interruttore RCB e seguendo la procedura guidata dal display. A seguito si può avviare normalmente gli altri UPS, chiudendo RCB e seguendo la procedura suggerita dal display.

### 12.2 CASO DI 2 O PIÙ UPS – AVVIO DA BYPASS MANUALE

Nel caso del parallelo di potenza di due o più UPS è necessario avviare il sistema da bypass manuale.

Se gli UPS sono già in Manual Bypass verificare i primi due punti.

La procedura da seguire è la seguente:

- Chiudere Bypass Manuale MCB su tutti gli UPS o MCB esterno
- Muovere i Bypass Switch in posizione BYPASS
- Chiudere RCB su tutti gli UPS

---

#### ATTENZIONE

Quando viene richiesto "APRIRE TUTTI MCB" si devono aprire gli MCB di tutti gli UPS e/o MCB su cabinet esterni.

---

- Seguire le istruzioni di avvio del pannello frontale procedendo per ciascun UPS fino al messaggio "MUOVI BYPASS SWITCH"
- Procedere muovendo il Bypass Switch di ciascun UPS
- Quando si muove il Bypass Switch dell'ultimo UPS gli UPS alimentano il carico in parallelo e si ha il messaggio "AVVIO TERMINATO"

### 12.3 PROCEDURA DI TRASFERIMENTO SU BYPASS MANUALE

Posizionare tutti i Bypass Switch in posizione "Bypass", facendo commutare il sistema su Bypass, Led 6 arancio acceso sul pannello frontale per tutti gli UPS del sistema.

Chiudere uno o più MCB ( tutti gli inverter si fermano con relativo allarme ).

Partendo da ciascun UPS componente il sistema di parallelo aprire gli interruttori OCB, SBCB, BCB e RCB, in questo ordine.

## 12.4 PROCEDURA DI RITORNO DA BYPASS MANUALE

Il sistema si trova nella condizione di Manual Bypass con uno o più interruttori MCB chiusi e TUTTI i Bypass Switch in posizione BYPASS in accordo alla procedura descritta al paragrafo 13.3.

Per riavviare il sistema con continuità dei carichi si deve seguire la procedura seguente:

### 12.4.1 Caso di 2 o N UPS – Riavvio da BYPASS manuale

- Chiudere RCB su tutti gli UPS
- Seguire le istruzioni di avvio del pannello frontale procedendo per ciascun UPS fino al messaggio “MUOVI BYPASS SWITCH”
- Procedere muovendo il Bypass Switch sugli UPS. Il sistema di parallelo alimenta il carico quando tutti i Bypass Switch sono posizionati in modalità Normale.
- gli UPS alimentano il carico in parallelo e si ha il messaggio “AVVIO TERMINATO” .

---

### ATTENZIONE

Quando viene richiesto “APRIRE TUTTI MCB” si devono aprire gli MCB di tutti gli UPS e/o MCB su cabinet esterni.

---